



**Emirates Fire Fighting
Equipment Factory LLC.
(FIREX)**

Distributor-



Unique Multi Engineering Ltd

Bulbul Mansion (1st fl) House# 137/B, New Eskaton Road, Ismail Lane
Ramna, Dhaka 1217, Bangladesh, Phone: +880258315796

Mail: info@unique-ltd.com, uniquebd0707@gmail.com

Mobile: +8801716592522, +8801825451599 www.unique-ltd.com



Distributor-



Unique Multi Engineering Ltd

A Firm of Fire Detection, Protection, Ventilation & Cooling System Solution

Mail: info@unique-ltd.com, uniquebd0707@gmail.com

Mobile: +8801716592522, +8801825451599

Web: www.unique-ltd.com

Index

SL. NO.	CONTENTS	PAGE
1	INTRODUCTION	2
2	FIRE TRUCKS	3 - 10
3	AMBULANCES	11 - 15
4	MOBILE MAINTENANCE VEHICLE	16
5	FIRE FIGHTING SKID	17
6	TRAILERS	18
7	FIRE EXTINGUISHERS	19 - 41
	DRY POWDER	19 - 26
	CO2	27 - 31
	FOAM	32 - 35
	WATER	36 - 38
	WET CHEMICAL	39
	FE-36	40
	FIREX-200	41
8	FIRE SUPPRESSION SYSTEMS	42 -49
	FIREX-200	42 - 44
	SEVO SYSTEMS	45
	WET CHEMICAL	46 - 47
	CO2 SYSTEM	48
	ARGONITE SYSTEM	49
9	FOAM & EQUIPMENTS	50 - 56
	FIREX FOAM	50
	FOMTEC FOAM	51 - 52
	FOAM BLADDER TANK	53 - 54
	FOAM EQUIPMENTS	55
	MONITORS	56
10	FIRE HOSE REEL	57 - 65
	FIRE HOSE	57 - 59
	FIRE HOSE RACK	60
	FIRE HOSE REEL	61 - 63
	NOZZLES	64 - 65
11	FIRE CABINETS	66 - 74
	SINGLE CABINETS	66 - 69
	DOUBLE CABINETS	70 - 73
	FOAM CABINET	74
12	FIRE DOOR	75 - 78
13	FIRE HYDRANTS	79 - 84
	FIRE HYDRANTS	79 - 81
	FIRE FIGHTING EQUIPMENTS	82 - 84
14	SPRINKLERS	85
15	FIRE PUMP	86 - 89
16	FIRE ALARM	90 - 99
	FIRE ALARM SYSTEMS	90 - 92
	VOICE EVACUATION	93
	EMERGENCY LIGHTS	94 - 96
	FIRE CABLES	97 - 99
17	FIRE BLANKETS	100
18	FILLING MACHINES	101
19	OTHER EQUIPMENTS	102- 104
	FIRE SAFETY EQUIPMENTS	102
	WARNING SIGNS	103
	ACCESSORIES	104



Distributor-



Unique Multi Engineering Ltd

A Firm of Fire Detection, Protection, Ventilation & Cooling System Solution

Mail: info@unique-ltd.com, uniquebd0707@gmail.com

Mobile: +8801716592522, +8801825451599

Web: www.unique-ltd.com

Introduction

Emirates Fire Fighting Equipment Factory LLC (FIREX) was established in Sharjah (U.A.E.) in 1998. Since then the company has grown and now supplies the local market in addition to the Middle East region with optimum quality of fire fighting goods with extremely competitive prices.

FIREX's main business is aimed at manufacturing, design, supply and installation of all manner of passive and active Fire Detection and Protection systems. We also offer advanced after sales service with our highly qualified engineers and technicians, experienced in the field of fire fighting as well as the fire alarm industry.

We strive to provide a reliable, efficient, intelligent and superior service to our worldwide clients in the field of fire fighting, no matter how near or far, small or large.

Our product ranges vary from Fire Pumps, Fire Resistance Doors, Rescue & Fire fighting vehicles, Ambulances, Fire Extinguishers, Fire Hose Reels, Fire Cabinets, Foam and Dry Powder materials, Fire Alarm systems, Safety & Security equipment, etc. We continue to invest in our capabilities, competencies and infrastructure to serve our agents. We understand that our continued growth relies on ensuring our agents and distribution network is provided with the best possible service. Through this sophisticated and comprehensive network we can link our offices in more than 150 agencies and distributors locally and globally in an efficient, and effective, way. Additionally, we represent many other reputable global brands in the region.

Many of our products carry third party approvals from some of the World's leading Certification Companies, such as, UL, LPCB, BSI, Exova, etc. All of our Company's operations are conducted under a Quality Management System certified to the International Quality management Standard ISO9001.



Distributor-



Unique Multi Engineering Ltd

A Firm of Fire Detection, Protection, Ventilation & Cooling System Solution

Mail: info@unique-ltd.com, uniquebd0707@gmail.com

Mobile: +8801716592522, +8801825451599

Web: www.unique-ltd.com

Firex Fire Trucks

General Description

We at Firex manufacture fire fighting vehicles inspired from our talented team and designed along with the clients needs in a way of detailed estimation carried out through different stages. However in each stage of production starting from the selection of materials to the final assembly, we apply Truck Quality Control procedures. Our sophisticated work force are enthusiastic and they are periodically well trained in order to produce high quality vehicles to meet with the international standards and emergency aspects in higher efficiency. Most vehicles are produced with steel and aluminium panels for the body work with extra cathode protection given to steel structures for long life, where as water and foam tanks are manufactured of different materials according to clients requirements from stainless steel or GRP according to the design. Hub of the vehicle is the fire fighting system where we use high quality products and accessories that has recently proven in this industry for long time.





Distributor-



Unique Multi Engineering Ltd

A Firm of Fire Detection, Protection, Ventilation & Cooling System Solution

Mail: info@unique-ltd.com, uniquebd0707@gmail.com

Mobile: +8801716592522, +8801825451599

Web: www.unique-ltd.com

Firex Fire Trucks

Airport Fire Fighting Vehicle

MB 2041 - 4x4



CHASSIS

Fire Truck Model	: FX-AFFT-4X4
Chassis Manufacturer	: Mercedes Benz, Germany
Chassis Type	: MB 2041
G.V.W. & Power	: 20 Tons/410 hp
Drive	: 4x4
Wheelbase	: 4500 mm
Water Tank	: 6000 liters SS AISI 304
Foam Tank	: 600 liters SS AISI 316 L
Water Pump	: Ziegler FPN 10-4000-2HL
Flow Rate	: 4000 lpm @ 10 bar
Monitor Vulkan	: WG 4000 SE-FD
Flow Rate	: 4000 lpm @ 10 bar
DCP System	: 225 kg





Distributor-



Unique Multi Engineering Ltd

A Firm of Fire Detection, Protection, Ventilation & Cooling System Solution

Mail: info@unique-ltd.com, uniquebd0707@gmail.com

Mobile: +8801716592522, +8801825451599

Web: www.unique-ltd.com

Firex Fire Trucks

Multi-purpose Fire Fighting Vehicle



CHASSIS

Make	: Man - Austria (EU)
Model	: TGM 18.280
Drive	: 4 x 2 BB
Horse Power	: 280 hp (206 kW) @ 2400 rpm
Torque	: 110 Nm @ 1200 rpm
GVW	: 18 Ton
Gear	: 12 AS 1210 TipMatic OD (12 forward + 2 reverse)
Steering	: LHD
Crew Cab	: Double Cabin with 4 doors
Wheel Base	: 4425 mm
Brakes	: Disc on front and rear Anti-lock braking system (ABS)
Tyres	: 295 / 80 R 22.5 Michelin (6 + 1)
PTO	: ZF Power take-off NH/1b
Batteries	: 2 x 12 V 175 Ah
Alternator	: 28 V / 110 A 3080 W
Fuel Tank	: 300 liters

FIRE FIGHTING EQUIPMENTS

Rear Crew Cab	: Seats for 4 persons
Water Tank	: 6000 liters SS 316 L
Foam Tank	: 600 liters GRP
Water Pump	: 3000 lpm @ 10 bar (Waterous USA)
Monitor	: Electrical with Joystick 2800 lpm (Akron USA)
Hose Reel	: 1" x 30 m , Electrical (Akron USA)
Light Mast	: Extended Height 6.5 M (Fireco Italy)
Generator	: 5 KVA
Aluminum Shutters	: Total 5 (MCD France)
DCP System	: 250 kg
DCP Hose Reel	: 1" x 30 m , Electrical (Akron USA)
Foam System	: Around the pump 0-6 %
Piping Materials	: SS 316
Main Valves	: Pneumatic controlled
Color	: RAL 3000
Accessories	: Standard
Couplings	: BS Standards



Distributor-



Unique Multi Engineering Ltd

A Firm of Fire Detection, Protection, Ventilation & Cooling System Solution

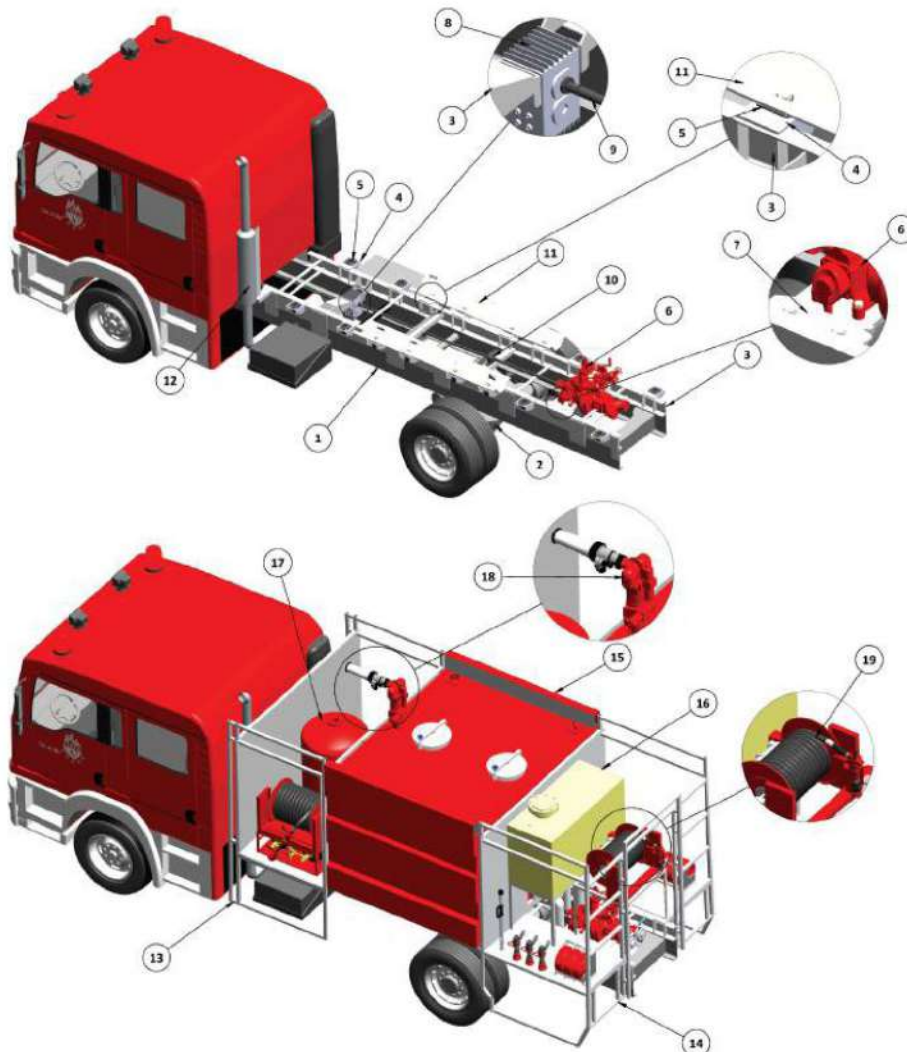
Mail: info@unique-ltd.com, uniquebd0707@gmail.com

Mobile: +8801716592522, +8801825451599

Web: www.unique-ltd.com

Firex Fire Trucks

Schematic Drawing of Multi-purpose Fire Fighting Vehicle



BILL OF MATERIALS

ITEM NO.	PART	DESCRIPTION
1	CABIN AND CHASSIS	MAN TGM 18.280, 18 TONS
2	WHEEL AND AXLE ASSEMBLY	MAN 4 X 2
3	SUB FRAME	MS STRUCTURE
4	MOUNTING BRACKET	MS
5	MOUNTING RUBBER	VIBRACOUSTICS UK
6	FIRE PUMP	WATEROUS 3000 LPM @ 10 BAR
7	FIRE PUMP MOUNTING PLATE	MILD STEEL PLATES
8	REDUCTION GEAR BOX	TOMAY
9	MOTOR DRIVE SHAFT	GERMANY
10	BEARING ASSEMBLY	GERMANY

ITEM NO.	PART	DESCRIPTION
11	PLATE FOR MOUNTING WATER TANK	SS 304
12	SPARK ARRESTOR	CHALWYN UK
13	FRONT COMPARTMENT STRUCTURE	ALUMINIUM PROFILE
14	REAR COMPARTMENT STRUCTURE	ALUMINIUM PROFILE
15	WATER TANK ASSEMBLY	6000 L SS 316L
16	WATER TANK ASSEMBLY	600 L SS 316L
17	DRY CHEMICAL POWDER TANK	250 KG
18	WATER MONITOR ASSEMBLY	AKRON BRASS USA
19	HOSE REEL ASSEMBLY WITH HIGH PRESSURE NOZZLE	AKRON USA



Distributor-



Unique Multi Engineering Ltd

A Firm of Fire Detection, Protection, Ventilation & Cooling System Solution

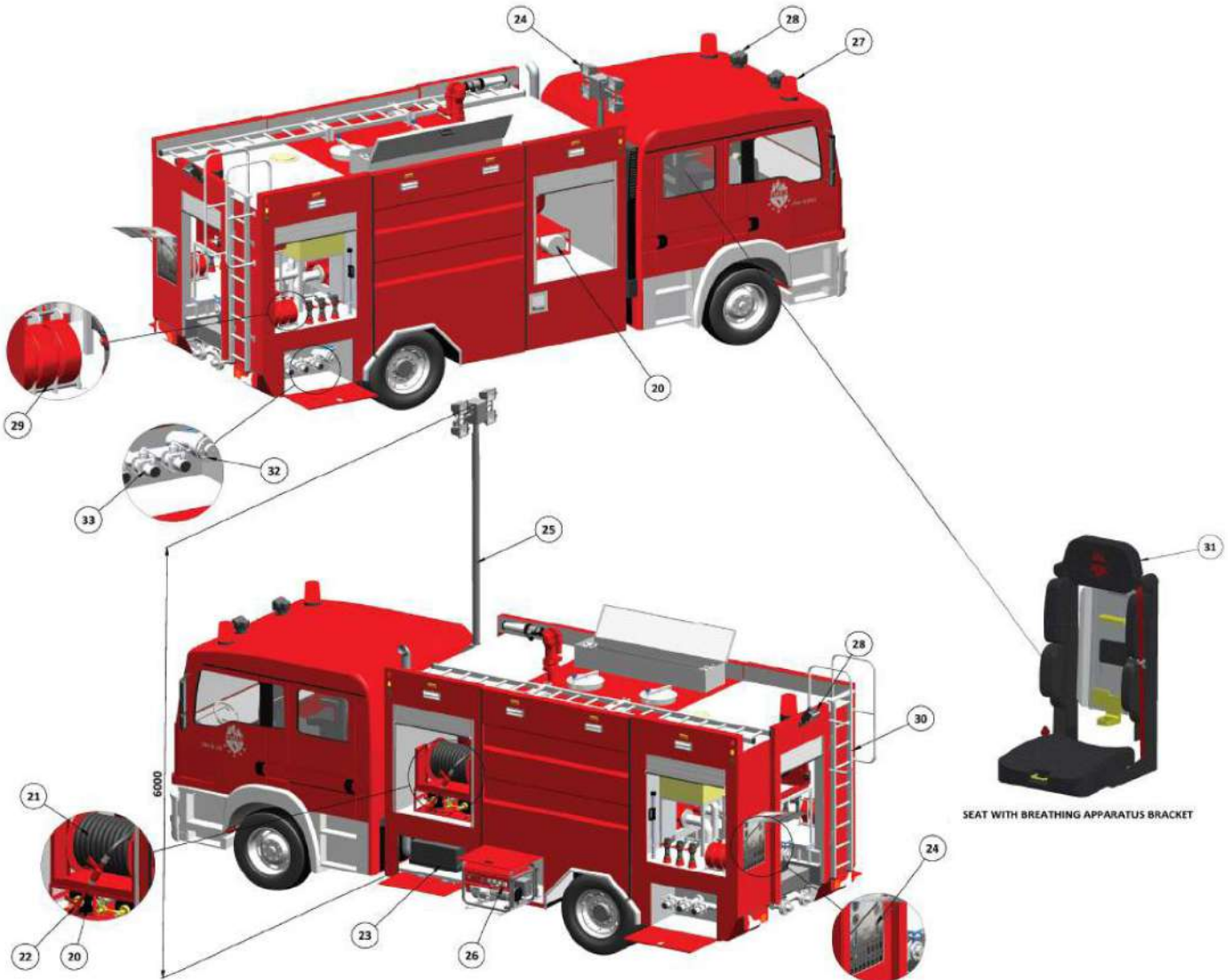
Mail: info@unique-ltd.com, uniquebd0707@gmail.com

Mobile: +8801716592522, +8801825451599

Web: www.unique-ltd.com

Firex Fire Trucks

Schematic Drawing of Multi-purpose Fire Fighting Vehicle



BILL OF MATERIALS

ITEM NO.	PART	DESCRIPTION
20	NITROGEN CLYINDER FOR DRY POWDER	50 LTR + 1 SPARE
21	HOSE REEL FOR DRY POWDER	AKRON BRASS USA
22	DRY POWDER NOZZLE	MINIMAX GERMANY
23	BATTERY COMPARTMENT	MAN
24	CONTROL PANEL BOARD	SS 316L WATER PROOF
25	LIGHT MAST ASSEMBLY	FIRECO ITALY
26	GENERATOR ASSEMBLY	ELEMAX JAPAN

ITEM NO.	PART	DESCRIPTION
27	ROTATING BEACON	BRITAX UK
28	SPOT LIGHTS	GO LIGHT USA
29	FIRE HOSE	2.5"
30	ROOF ACCESS LADDER	AL ZAMIL ALUMINIUM
31	CREW SEATS	H O BOSTROM USA
32	SUCTION LINE	SS 316
33	DELIVERY LINE	SS 316



Distributor-



Unique Multi Engineering Ltd

A Firm of Fire Detection, Protection, Ventilation & Cooling System Solution

Mail: info@unique-ltd.com, uniquebd0707@gmail.com

Mobile: +8801716592522, +8801825451599

Web: www.unique-ltd.com

Firex Fire Trucks

Industrial Fire Fighting Vehicle

FOAM TANK

Capacity	: 2000 liters
Material	: SS316L. All the fittings and the armatures are also "Stainless Steel".
Manhole Cover	: Dia.500mm with snap closure.
Baffle Walls	: Longitudinal and transverse.
Suction Line	: 1¼" to fire pump, remote controlled, lockable.
Overflow	: 1 x Line
Draining	: 1 x Drain cock at the bottom.
Level Indication	: 1 x Electronic indication at the pump panel

WATER TANK

Capacity	: 10,000 liters
Material	: SS316L. All the fittings and the armatures are also "Stainless Steel".
Manhole Cover	: Dia.500mm with snap closure.
Baffle Walls	: Longitudinal and transverse. Transverse walls are removable in order to allow transition from one section to the other.
Filling Lines	: 2 x DN 50 Hydrants Filling. 1 x DN 40 for filling via fire pumps, lockable.
Suction Line	: 1 x DN 110 to fire pump, lockable
Overflow	: 1 x Line
Draining	: 1 x Drain cock at the bottom.
Level Indication	: 1 x Electronic indication at the pump panel





Distributor-



Unique Multi Engineering Ltd

A Firm of Fire Detection, Protection, Ventilation & Cooling System Solution

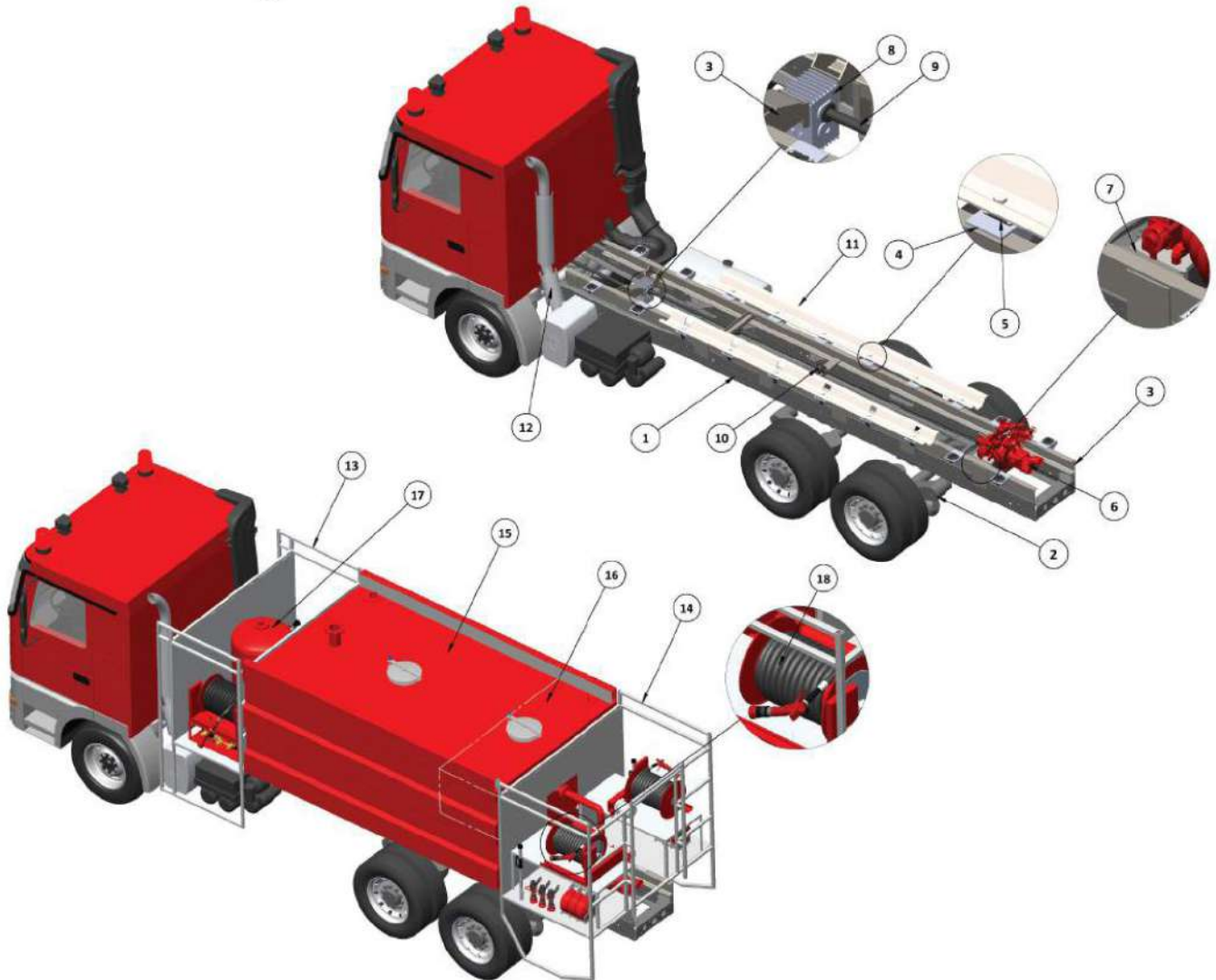
Mail: info@unique-ltd.com, uniquebd0707@gmail.com

Mobile: +8801716592522, +8801825451599

Web: www.unique-ltd.com

Firex Fire Trucks

Schematic Drawing of Industrial Fire Truck



BILL OF MATERIALS

ITEM NO.	PART	DESCRIPTION
1	CABIN AND CHASSIS	MERCEDES BENZ ACTROS 3341
2	WHEEL AND AXLE ASSEMBLY	MERCEDES BENZ 6 X 4
3	SUB FRAME	MS STRUCTURE
4	MOUNTING BRACKET	MS
5	MOUNTING RUBBER	VIBRACOUSTICS UK
6	FIRE PUMP	ZIEGLER 6000 LPM @ 10 bar
7	FIRE PUMP MOUNTING PLATE	MILD STEEL PLATES
8	STEP UP GEAR BOX	TOMAY - TURKEY
9	PUMP DRIVE SHAFT	GERMANY

ITEM NO.	PART	DESCRIPTION
10	BEARING ASSEMBLY	GERMANY
11	PLATE FOR MOUNTING WATER TANK	SS 304
12	SPARK ARRESTOR	MERCEDES BENZ
13	FRONT COMPARTMENT STRUCTURE	ALUMINIUM PROFILE
14	REAR COMPARTMENT STRUCTURE	ALUMINIUM PROFILE
15	WATER TANK ASSEMBLY	10000 L SS 316L
16	FOAM TANK	2000 L SS 316L
17	DRY CHEMICAL POWDER TANK	250 KG
18	HOSE REEL ASSEMBLY WITH HIGH PRESSURE NOZZLE	AKRON USA



Distributor-



Unique Multi Engineering Ltd

A Firm of Fire Detection, Protection, Ventilation & Cooling System Solution

Mail: info@unique-ltd.com, uniquebd0707@gmail.com

Mobile: +8801716592522, +8801825451599

Web: www.unique-ltd.com

Firex Fire Trucks

Schematic Drawing of Industrial Fire Truck



BILL OF MATERIALS

ITEM NO.	PART	DESCRIPTION
19	HOSE REEL FOR DRY POWDER	AKRON USA
20	NITROGEN CLYINDER FOR DRY POWDER	50 LTR + 1 SPARE
21	DRY POWDER NOZZLE	MINIMAX GERMANY
22	WATER MONITOR ASSEMBLY	VOLKAN, 4000 LPM @ 8 bar
23	FOAM PUMP	ALBANY UK, 600 LPM @ 15 bar
24	BATTERY COMPARTMENT	MERCEDES BENZ
25	CONTROL PANEL BOARD	SS 316L WATER PROOF
26	FIRE HOSE	2.5"
27	ROTATING BEACON	BRITAX UK

ITEM NO.	PART	DESCRIPTION
28	SPOT LIGHT	GO LIGHT USA
29	ROOF ACCESS LADDER	AL ZAMIL ALUMINIUM
30	SUCTION LINE	SS 316
31	DELIVERY LINES	SS 316
32	RATIO CONTROLLER	FEECON USA
33	METERING VALVE	FEECON USA
34	BATTERY CHARGING SOCKET	RETTBOX FRANCE
35	CREW SEATS	1 + 1 + 1



Distributor-



Unique Multi Engineering Ltd

A Firm of Fire Detection, Protection, Ventilation & Cooling System Solution

Mail: info@unique-ltd.com, uniquebd0707@gmail.com

Mobile: +8801716592522, +8801825451599

Web: www.unique-ltd.com

Firex Ambulances

In Firex, we have established a modern line for vehicle converting into ambulances supported by a famous ambulance manufacturing corporation in South Korea. In this line we are able to supply all types of Emergency and medical support vehicles, Type 1, Type 2 and Type 3 ambulances which can be built or converted on any vehicle model like Mercedes Benz, Toyota, Hyundai, Ford, GMC and Chevrolet. Our vehicles are equipped with the necessary medical equipments from famous suppliers like Ferno, Spencer, Autech or as per clients requirements.





Distributor-



Unique Multi Engineering Ltd

A Firm of Fire Detection, Protection, Ventilation & Cooling System Solution

Mail: info@unique-ltd.com, uniquebd0707@gmail.com

Mobile: +8801716592522, +8801825451599

Web: www.unique-ltd.com

Firex Ambulances

Peugeot Boxer L2H2 Ambulance

PATIENT'S ROOM EQUIPMENT

Fixed partition with glass wicket with sliding glasses with frontal storage compartment, 1 drawer, 2 storages closed by doors, one opened compartment for storage of emergency bag and 1 storage for portable chair.

Upper part used as a working surface with anti-fall edges.

Anti-sliding monobloc floor

On the floor : mobile support table for the stretcher with manual Proclive/Declive system.

Lower storage compartment composed of :

Storage bin for the vacuum mattress,

2 open storages in lower part, 3 drawers,

1 storage for heater, one sink fixed on the work plan

Pivoting attendant seat

5 x 12 Volts and 1 x 220 Volts plugs

Rotating light

Emergency lightbar integrated 2 rotating lights and warning signal

BASE VEHICLE

Boxer L2H2 - panel van

Diesel engine

Color : White

Lateral sliding door

2 rear swinging glazed doors

Front air-conditioning, rear distribution

PATIENT'S ROOM DIMENSIONS

Length /Longueur- 2,890 m.

Width / Largeur -1,394 m / 1,784 m.

Height /Hauteur -1,907 m.

Specifications and pictures given are for informative purposes and are not contractual. Special executions available on request.





Distributor-



Unique Multi Engineering Ltd

A Firm of Fire Detection, Protection, Ventilation & Cooling System Solution

Mail: info@unique-ltd.com, uniquebd0707@gmail.com

Mobile: +8801716592522, +8801825451599

Web: www.unique-ltd.com

Firex Ambulances

Peugeot Boxer L2H2 Ambulance





Distributor-



Unique Multi Engineering Ltd

A Firm of Fire Detection, Protection, Ventilation & Cooling System Solution

Mail: info@unique-ltd.com, uniquebd0707@gmail.com

Mobile: +8801716592522, +8801825451599

Web: www.unique-ltd.com

Firex Ambulances

Hyundai Grand Starex Super Deluxe Ambulance

Features:

LED Integrated Warning Light, Rear view camera and 7" Monitor, Independent Suspension, Power Steering, (2) IV Holders & Movable Lamp in ceiling, Manual A/C & H/T, 3 tones of Siren, Electrical outlets (2) DC 12V, Electrical outlets (2) AC 110V/220V, Floor with Non-slip & Non-corrosive material, (2) Oxygen outlets, Rescuer seat, Big sized ventilator, SUS Base Platform, Microphone, Squad bench.

Main Stretcher(5-STEP), Folding Type Stretcher, Oxygen cylinders(10L x 2EA), phygmomanometer, Rechargeable Suction, Fixed Oxylator (1).





Distributor-



Unique Multi Engineering Ltd

A Firm of Fire Detection, Protection, Ventilation & Cooling System Solution

Mail: info@unique-ltd.com, uniquebd0707@gmail.com

Mobile: +8801716592522, +8801825451599

Web: www.unique-ltd.com

Firex Ambulances

Hyundai Grand Starex Super Deluxe Ambulance

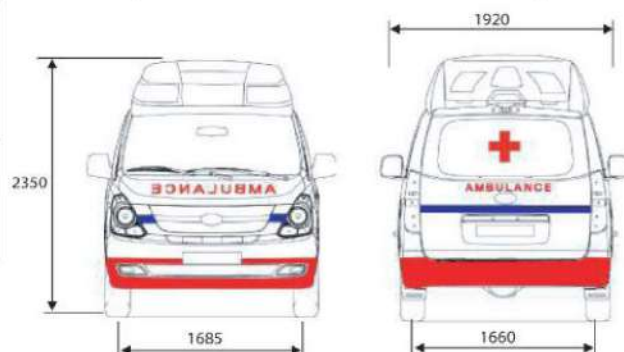
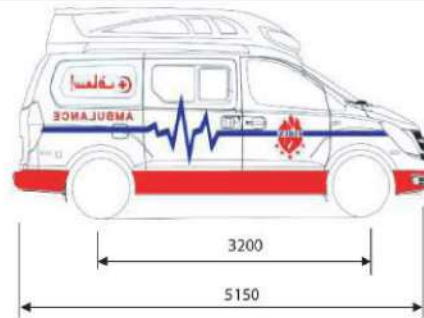
PATIENT'S ROOM



1. Air Conditioner
2. Heater
3. Rescue Seat
4. Sink
5. Main Stretcher
6. Storage of Folding Type Stretcher
7. Long Bench (Squad)
8. Medicine Cabinet
9. I.V Holder
10. Sphygmomanometer
11. Room Lamp (LED)
12. Movable Lamp
13. Squad Bench Rear Cushion
14. TRA Lamp
15. Base Platform (Storage Box)
16. Main Control Panel
17. Medicine Cabinet

Specification of Ambulance

ITEM	SPECIFICATION	
Boarding People	6 + 0=6	
Gross Weight (Kg)	2850	
Length (mm)	5150	
Width (mm)	1920	
Height (mm)	2350	
Patient Compartment (mm)	LEN	2600
	WID	1290
	HEI	1730
Battery (AH)	100 (AH)	
Battery mode/ Output (V.A.)	Alternating Current, 12-120	





Distributor-



Unique Multi Engineering Ltd

A Firm of Fire Detection, Protection, Ventilation & Cooling System Solution

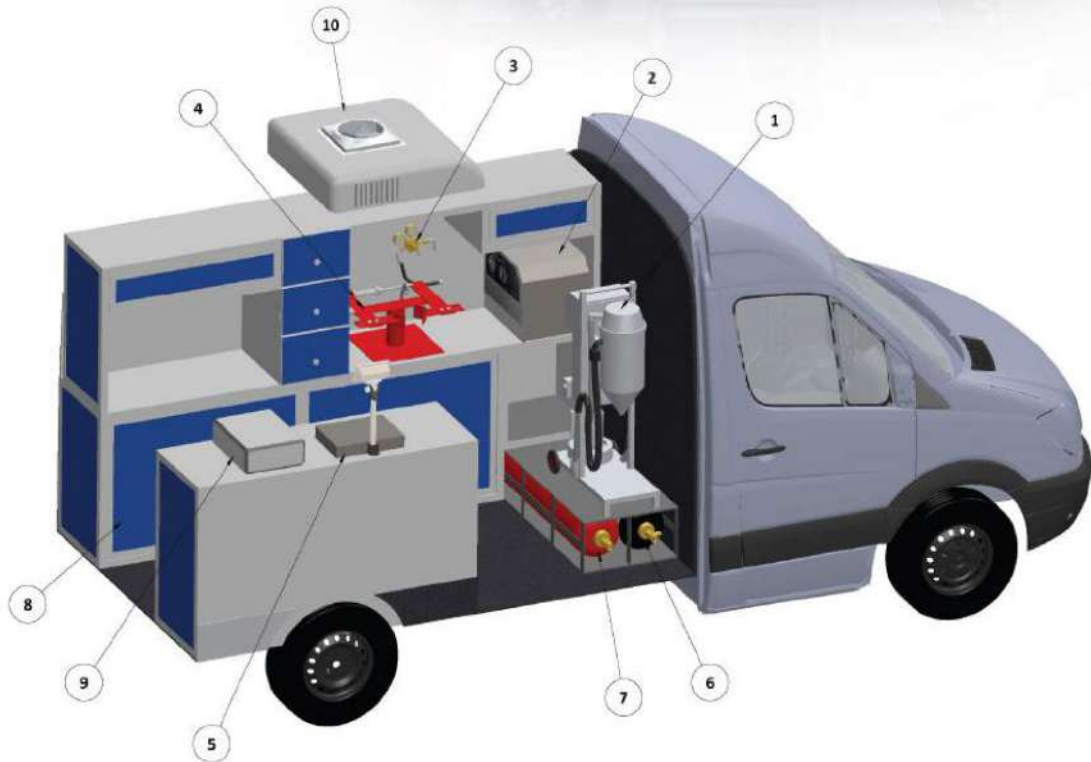
Mail: info@unique-ltd.com, uniquebd0707@gmail.com

Mobile: +8801716592522, +8801825451599

Web: www.unique-ltd.com

Firex Mobile Maintenance Vehicle

Mobile Maintenance Vehicle



SPECIFICATIONS

ITEM NO.	DESCRIPTION
1	DRY POWDER FILLING MACHINE
2	CO2 FILLING MACHINE
3	REGULATOR FOR NITROGEN FILLING
4	PNEUMATIC VICE
5	WEIGHING SCALE
6	NITROGEN CYLINDER
7	CO2 CYLINDER
8	CABINETS
9	TOOL BOX
10	AIR CONDITIONING UNIT



Distributor-



Unique Multi Engineering Ltd

A Firm of Fire Detection, Protection, Ventilation & Cooling System Solution

Mail: info@unique-ltd.com, uniquebd0707@gmail.com

Mobile: +8801716592522, +8801825451599

Web: www.unique-ltd.com

Firex Fire Fighting Skid

Fire Fighting Skid On Golf Car



Fire Fighting Skid On All Terrain Vehicle (Atv)





Distributor-



Unique Multi Engineering Ltd

A Firm of Fire Detection, Protection, Ventilation & Cooling System Solution

Mail: info@unique-ltd.com, uniquebd0707@gmail.com

Mobile: +8801716592522, +8801825451599

Web: www.unique-ltd.com

Firex Fire Trailers

FOR INDUSTRIAL FIRE

DRY CHEMICAL POWDER

FOAM & WATER

WET CHEMICAL

COMBINED FOAM & DRY POWDER

COMBINED DRY POWDER & WET CHEMICAL

FIRE PUMP

Dry Powder Trailer

Dry powder trailer unit with twin cabinet both sides for hose and tool. Pressurized with nitrogen cylinder. Supplied with complete accessories. Containers sizes are customized as per client's request.



Fire Pump Trailer

Fire pump trailer unit with suction hoses on either sides and space for fire hose and accessories. Provided with diesel engine pump to operate with water and foam. Pumps sizes are customized as per client's request.

Foam Trailer

Foam trailer unit with tool box on sides for fire hose and accessories. Provided with diesel engine pump to operate with water. Containers and pumps sizes are customized as per client's request.



Manufactured as per client's requirement.



Distributor-



Unique Multi Engineering Ltd

A Firm of Fire Detection, Protection, Ventilation & Cooling System Solution

Mail: info@unique-ltd.com, uniquebd0707@gmail.com

Mobile: +8801716592522, +8801825451599

Web: www.unique-ltd.com

Firex Standard Portable Dry Powder Extinguishers



Description

- Steel cylinder of high quality ST14 by means of deep drawing and painted with anti-corrosive polyester paint (powder coating).
- ABC dry chemical powder is effective on class A, B, C & E fires and it is ideal for multi-risk fire.
- Corrosion and impact resistant polyester finish.
- Equipped with entire brass valve with pistol system.
- Ready for instant use and simple to operate.
- Approved by UAE Civil Defence and it is manufactured according to International Standards.
- The valve is equipped with safety release pressure to avoid any bursting of cylinders during high temperature.
- Do not use on fires involving carbon disulphate and flammable metal.
- Available in Red and Blue colours.
- Capacity of cylinder can be supplied upon request.

Specification

SPECIFICATION	MODEL							
	FDP1	FDP2	FDP3	FDP4.5	FDP6	FDP9	FDP10	FDP12
CAPACITY (KG)	1	2	3	4.5	6	9	10	12
FIRE RATING	3A 13B	5A 21B	13A 34B	21A 89B	21A 144B	34A 144B	34A 144B	34A 144B
DIAMETER (mm)	90	110	130	135	160	185	185	185
BREADTH OF EXTG. (mm)	130	140	150	185	230	240	240	240
HEIGHT OF EXTG. (mm)	240	300	155	430	405	495	495	560
TOTAL HEIGHT (mm)	305	360	430	520	490	590	590	660
DISCHARGE RANGE (m)	5	5	8	8	8	8	8	8
DISCHARGE TIME (sec)	≥6	≥6	≥9	≥12	≥15	≥16	≥18	≥21
EMPTY WEIGHT (kg)	0.7	1.2	1.25	2.1	2.5	3.55	3.55	3.98
GROSS WEIGHT (kg)	1.7	3.2	4.25	6.6	8.5	12.55	13.55	15.98
PACKING FINAL VOLUME (m ³)	0.004	0.007	0.008	0.013	0.014	0.024	0.025	0.03
CYLINDER WALL THK. (mm)	1.0	1.0	1.0	1.2	1.2	1.5	1.5	1.5
HOSE	NO HOSE		WITH HOSE AND HORN					
CLASS OF FIRE	A B C & E							
EXTINGUISHING AGENT	ABC 70 % DRY CHEMICAL POWDER							
OPERATING PRESSURE (Bar)	15							
TEST PRESSURE (Bar)	30							
VALVE	NICKLE PLATED WITH RIGID HANDLE & SAFETY VALVE PIN							
BOTTOM BASE	POLYPROPANE PLASTIC WITH RUBBER MIXTURE TO PROVIDE STRONG AND FLEXIBLE COMBINED PROPERTIES WITH U.V. STABILIZER.							
RISING PIPE	PLASTIC/ALUMINIUM							
TEMPERATURE RANGE	-30°C TO +60°C							
CYLINDER MATERIAL	COLD ROLLED STEEL							
PAINTING	ELECTROSTATIC POLYESTER EPOXY RESIN							
PRINTING	CLEAR ATTRACTIVE SCREEN PRINTING							
MOUNTING	WALL MOUNTING USING BRACKET							



Wood, Rubber,
Paper, Textiles



Petrol, Oil, Greases,
other alcohol



Propane, Butane, methane,
Acetylene, Town gas



Fires on electrical
equipment



Firex LPCB Portable Dry Powder Extinguishers



Certificate No.: 867Ba



Description

Dry Powder fire extinguisher contains ABC Dry Powder extinguishing agent.

Dry Powder fire extinguisher is examined and tested to the relevant clauses in accordance with BS EN 3 in order to provide test data for the Loss Prevention Certification Board scheme for portable fire extinguishers.

Dry chemical powder is effective on Class A B C fires and it's ideal for multi-risk fire.

Ready for instant use and simple to operate.

The valve is equipped with safety release pressure to avoid any bursting of cylinders during high temperature.

Corrosion and impact resistant polyester paint finish.

WOOD, PAPER
CARD BOARD, FABRICPETROLS, OILS, PAINTS
FLAMMABLE GASES

GASEOUS FIRES

Specifications

Model	FDP1	FDP2	FF2P	FDP3	FDP4	FDP6	FDP9	FDP12
Classification	ABC	ABC	ABC	ABC	ABC	ABC	ABC	ABC
LPCB Ref. No.	867Ba/04	867Ba/01	867Ba/15	867Ba/05	867Ba/07	867Ba/02	867Ba/08	867Ba/03
Fire Rating	8A/55B	13A/89B	13A/89B	21A/144B	27A/233B	43A/233B	55A/233B	55A/233B
Extinguishing Agent	ABC Powder							
Hydrostatic Test Pressure	30 Bar							
Operating Pressure	15 Bar							
Propellant	Dry Nitrogen							
Max. Temp. Range	-30°C to +60°C							
Agent Mass	1 Kg.	2 Kg.	2 Kg.	3 Kg.	4 Kg.	6 Kg.	9 Kg.	12 Kg.
Total Mass	1.96 Kg.	3.5 Kg.	4.13 Kg.	4.96 Kg.	6.3 Kg.	9.04 Kg.	13.36 Kg.	17.1 Kg.
Discharge Time	9 Sec.	14 Sec.	11.53 Sec.	21 Sec.	23 Sec.	24 Sec.	30 Sec.	38 Sec.



Distributor-



Unique Multi Engineering Ltd.

A Firm of Fire Detection, Protection, Ventilation & Cooling System Solution

Mail: info@unique-ltd.com, uniquebd0707@gmail.com

Mobile: +8801716592522, +8801825451599

Web: www.unique-ltd.com

BSI

Firex BSI Portable Dry Powder Extinguishers

1 KG ABC POWDER



Specification

MODEL	FABC1
Fire Rating	8A/21B
Classification	ABC
KM No.	577694
Extinguishing Agent	40% ABC Powder
Hydrostatic Test Pressure	30 Bar
Operating Pressure	15 Bar
Propellant	Dry Nitrogen
Max. Temp. Range	-30°C to +60°C
Agent Mass	1 Kg.
Total Mass	1.85 Kg.
Discharge Time	9 Sec.



BS EN3
KM No. 577694

6 KG ABC POWDER

MODEL	FABC6
Fire Rating	34A/183B
Classification	ABC
KM No.	577694
Extinguishing Agent	40% ABC Powder
Hydrostatic Test Pressure	30 Bar
Operating Pressure	15 Bar
Propellant	Dry Nitrogen
Max. Temp. Range	-30°C to +60°C
Agent Mass	6 Kg.
Total Mass	9.04 Kg.
Discharge Time	24 Sec.



2 KG ABC POWDER



Specification

MODEL	FABC2
Fire Rating	13A/55B
Classification	ABC
KM No.	577694
Extinguishing Agent	40% ABC Powder
Hydrostatic Test Pressure	30 Bar
Operating Pressure	15 Bar
Propellant	Dry Nitrogen
Max. Temp. Range	-30°C to +60°C
Agent Mass	2 Kg.
Total Mass	3.5 Kg.
Discharge Time	14 Sec.

9 KG ABC POWDER

MODEL	FABC9
Fire Rating	43A/183B
Classification	ABC
KM No.	577694
Extinguishing Agent	40% ABC Powder
Hydrostatic Test Pressure	30 Bar
Operating Pressure	15 Bar
Propellant	Dry Nitrogen
Max. Temp. Range	-30°C to +60°C
Agent Mass	9 Kg.
Total Mass	13.38 Kg.
Discharge Time	29 Sec.



3 KG ABC POWDER



Specification

MODEL	FABC3
Fire Rating	21A/70B
Classification	ABC
KM No.	577694
Extinguishing Agent	40% ABC Powder
Hydrostatic Test Pressure	30 Bar
Operating Pressure	15 Bar
Propellant	Dry Nitrogen
Max. Temp. Range	-30°C to +60°C
Agent Mass	3 Kg.
Total Mass	4.9 Kg.
Discharge Time	21 Sec.

12 KG ABC POWDER

MODEL	FABC12
Fire Rating	55A/233B
Classification	ABC
KM No.	577694
Extinguishing Agent	40% ABC Powder
Hydrostatic Test Pressure	30 Bar
Operating Pressure	15 Bar
Propellant	Dry Nitrogen
Max. Temp. Range	-30°C to +60°C
Agent Mass	12 Kg.
Total Mass	16.74 Kg.
Discharge Time	38 Sec.



4 KG ABC POWDER



Specification

MODEL	FABC4
Fire Rating	27A/113B
Classification	ABC
KM No.	577694
Extinguishing Agent	40% ABC Powder
Hydrostatic Test Pressure	30 Bar
Operating Pressure	15 Bar
Propellant	Dry Nitrogen
Max. Temp. Range	-30°C to +60°C
Agent Mass	4 Kg.
Total Mass	6.3 Kg.
Discharge Time	20 Sec.



Distributor-



Unique Multi Engineering Ltd.

A Firm of Fire Detection, Protection, Ventilation & Cooling System Solution

Mail: info@unique-ltd.com, uniquebd0707@gmail.com

Mobile: +8801716592522, +8801825451599

Web: www.unique-ltd.com

Firex Standard Portable Dry Powder Fire Extinguishers with Inside & Outside CO₂ Cartridge

Description

- Steel cylinder of high quality ST14 by means of deep drawing and painted with anti-corrosive polyester paint (powder coating).
- ABC dry chemical powder is effective on class A,B,C & E fires and it is ideal for multi-risk fire.
- Corrosion and impact resistant polyester paint finish.
- Ready for instant use and simple to operate.
- Approved by Civil Defense and it is manufactured according to International Standards.
- The valve is equipped with safety release pressure to avoid any bursting of cylinders during high temperature.
- Fires involving carbon disulphate and flammable metal should be avoided.
- Available in Red and Blue colour.
- Available in all sizes including trolleys.



OUTSIDE CARTRIDGE



INSIDE CARTRIDGE

Specifications

SPECIFICATION	MODEL				
	FDP6 O/C	FDP12 O/C	FDP6 I/C	FDP9 I/C	FDP12 I/C
CAPACITY (KG)	6	12	6	9	12
FIRE RATING	21A 144B	34A 144B	21A 144B	34A 144B	34A 144B
DIAMETER (mm)	150	195	150	195	195
BREADTH OF EXTG. (mm)	200	245	200	245	245
HEIGHT OF EXTG. (mm)	410	500	410	450	500
TOTAL HEIGHT (mm)	510	600	510	550	600
DISCHARGE RANGE (m)	8	9	8	9	9
DISCHARGE TIME (sec)	14-17	20-22	14-17	18-20	20-22
EMPTY WEIGHT (kg)	4.5	7	4.5	6	7
TOTAL WEIGHT (kg)	11	19	11	16	19
PACKING FINAL VOLUME (m ³)	0.02	0.04	0.02	0.04	0.04
CYLINDER WALL THK. (mm)	1.8	2	1.8	2	2
HOSE WITH PISTOL	WITH HOSE AND HORN				
CLASS OF FIRE	A B C & E				
EXTINGUISHING AGENT	ABC 70 % DRY CHEMICAL POWDER				
OPERATING PRESSURE (Bar)	15				
TEST PRESSURE (Bar)	30				
VALVE	NICKLE PLATED WITH RIGID HANDLE & SAFETY VALVE PIN				
BOTTOM BASE	POLYPROPANE PLASTIC WITH RUBBER MIXTURE TO PROVIDE STRONG AND FLEXIBLE COMBINED PROPERTIES WITH U.V. STABILIZER.				
RISING PIPE	PLASTIC/ALUMINIUM				
CYLINDER MATERIAL	COLD ROLLED STEEL				
PRINTING	CLEAR ATTRACTIVE SCREEN PRINTING				
MOUNTING	WALL MOUNTING USING BRACKET				
EXPELLANT AGENT	CO ₂ GAS				
CARTRIDGE TEST PRESSURE (Bar)	250				
CARTRIDGE BURST PRESSURE (Bar)	950	850	800	700	
POSITION OF CO ₂ CARTRIDGE	OUTSIDE			INSIDE	



Wood, Rubber,
Paper, Textiles



Petrol, Oil, Greases,
other alcohol



Propane, Butane, methane,
Acetylene, Town gas



Fires on electrical
equipment



Distributor-



Unique Multi Engineering Ltd.

A Firm of Fire Detection, Protection, Ventilation & Cooling System Solution

Mail: info@unique-ltd.com, uniquebd0707@gmail.com

Mobile: +8801716592522, +8801825451599

Web: www.unique-ltd.com

Firex Standard Dry Powder Automatic Extinguishers

Standard Dry Powder Automatic Extinguishers

Description

- Steel cylinder of high quality St 14 by means of deep drawing and painted with anti-corrosive polyester paint (powder coating).
- ABC dry chemical powder is effective on class A, B, C & E fires and is ideal for multi-risk fires.
- Corrosion and impact resistant polyester paint finish.
- Operation with automatic sprinkler at temperature 68°C.
- Approved by Civil Defence and manufactured according to International Standards.



Specifications

DESCRIPTION	MODEL				
	FDPA4.5	FDPA5	FDPA6	FDPA9	FDPA12
CAPACITY(Kg)	4.5	5	6	9	12
FIRE RATING	21A 89B	21A 89B	21A 144B	21A 144B	21A 144B
DIAMETER(mm)	275	275	275	360	420
HEIGHT (mm)	210	210	210	210	225
DISCHARGE RANGE (Mtr)	8	8	8	9	9
DISCHARGE TIME (Sec)	12-14	12-14	16	18	21
CYLINDER WALL THICKNESS (mm)	1.8	1.8	1.8	2	2
CLASS OF FIRE	A B C & E				
EXTINGUISHING AGENT	ABC 70% DRY CHEMICAL POWDER				
OPERATING PRESSURE (Bar)	15				
TEST PRESSURE (Bar)	30				
OPERATING TEMPERATURE	68°C				
CYLINDER MATERIAL	COLD ROLLED STEEL				
PRINTING	CLEAR ATTRACTIVE SILK SCREEN PRINTING				
MOUNTING	CEILING MOUNTING				
EXPELLANT AGENT	NITROGEN				



Distributor-



Unique Multi Engineering Ltd.

A Firm of Fire Detection, Protection, Ventilation & Cooling System Solution

Mail: info@unique-ltd.com, uniquebd0707@gmail.com

Mobile: +8801716592522, +8801825451599

Web: www.unique-ltd.com

Firex Standard Mobile Dry Powder Extinguishers

Description

- Steel cylinder of high quality ST14 and painted with anti-corrosive polyester paint (powder coating).
- ABC dry chemical powder is effective on class A, B, C & E fires and it is ideal for multi-risk fire.
- Corrosion and impact resistant polyester finish.
- Equipped with entire brass valve with pistol system.
- Ready for instant use and simple to operate.
- Approved by UAE Civil Defence and it is manufactured according to International Standards.
- The valve is equipped with safety release to avoid any bursting of cylinders during high temperature.
- Do not use on fires involving carbon disulphate and flammable metal.
- Available in Red and Blue colours.
- Various capacity of cylinder can be supplied upon request.

Specification

SPECIFICATION	MODEL						
	FDP25	FDP50	FDP75	FDP100	FDP150	FDP25-OC	FDP50-OC
CAPACITY (KG)	25	50	75	100	150	25	50
DISCHARGE RANGE (m)	8	8	8	8	8	8	8
DISCHARGE TIME (sec)	25	42	48	55	75	25	50
TOTAL HEIGHT (mm)	1120	1040	1150	1450	1200	1120	1040
HEIGHT OF EXTG. (mm)	815	920	1030	1300	1120	815	920
DIAMETER (mm)	250	300	390	400	550	250	300
HOSE LENGTH (m)	3	5	5	5	5	3	5
EXPPELLANT AGENT	ABC 70 % DRY CHEMICAL POWDER						
OPERATING PRESSURE (Bar)	15						
TEST PRESSURE (Bar)	30						
VALVE	NICKLE PLATED WITH RIGID HANDLE & SAFETY VALVE PIN						
WHEEL	SOLID RUBBER & ALUMINIUM ALLOY						
RISING PIPE	PLASTIC / ALUMINIUM						
CYLINDER MATERIAL	COLD ROLLED STEEL						
TEMPERATURE RANGE	-30°C TO +60°C						
PRINTING	CLEAR ATTRACTIVE SCREEN PRINTING						
CLASS OF FIRE	A B C & E						





Distributor-



Unique Multi Engineering Ltd.

A Firm of Fire Detection, Protection, Ventilation & Cooling System Solution

Mail: info@unique-ltd.com, uniquebd0707@gmail.com

Mobile: +8801716592522, +8801825451599

Web: www.unique-ltd.com

LPCB

Firex LPCB Mobile Dry Powder Extinguishers



Certified to EN1866
LPCB Ref. 1092c



0029/2015



0029/2015



Description

TIANBO Mobile fire extinguishers are designed for large industrial or marine fire risks where a large amount of fire extinguishing agent is required. Mobile extinguishers can be supplied in a choice of sizes and agents to suit specific applications.

ABC Powder Units

- Designed and approved to EN1866
- Factory filled with high versatile ABC dry powder for great fire knock down
- One person operation
- Strong and stylish wheel for smooth moving



TECHNICAL DATA

MODEL	TMPD25	TMPD50	TMPD100
Extinguishing Medium	ABC Powder	ABC Powder	ABC Powder
Capacity(kg)	25	50	100
Height(mm)	870	1200	1200
Shell Diameter(mm)	250	300	400
Discharge Time Approx.(second)	30	35	35
Full Weight (kg)	40	77	140
Working Pressure(bar)	15	15	15
Test Pressure(bar)	26	26	26
Temperature Range	-30°C +60°C	-30°C +60°C	-30°C +60°C
Fire Rating	IIB C	IVB C	IVB C
Approved to EN 1866	✓	✓	✓





Firex BSI Mobile Dry Powder Extinguishers



BS EN3
KM NO.577216



Description

- Steel cylinder of high quality ST14 and painted with anti-corrosive polyester paint (powder coating).
- ABC dry chemical powder is effective on class A, B, C fires and it is ideal for multi-risk fire.
- Corrosion and impact resistant polyester finish.
- Equipped with entire brass valve with rotary system.
- The valve is equipped with safety release to avoid any bursting of cylinders during high temperature.
- Approved by UAE Civil Defence and it is manufactured according to BS EN 1866.
- Ready for instant use and simple to operate.
- Available in Red colour.



TECHNICAL DATA

MODEL	FDP25	FDP50
Extinguishing Medium	90% ABC Powder	90% ABC Powder
Capacity (kg)	25	50
Height (mm)	890	1150
Shell Diameter (mm)	310	310
Discharge Time Approx. (second)	30	35
Gross Weight (kg)	57	90
Working Pressure (bar)	15	15
Test Pressure (bar)	26	26
Temperature Range	-20°C +60°C	-20°C +60°C
Fire Rating	IB C	IIB C
Approved to BS EN 1866	✓	✓



Distributor-



Unique Multi Engineering Ltd.

A Firm of Fire Detection, Protection, Ventilation & Cooling System Solution

Mail: info@unique-ltd.com, uniquebd0707@gmail.com

Mobile: +8801716592522, +8801825451599

Web: www.unique-ltd.com

Firex Standard Portable Carbon Dioxide Extinguishers



Description

- CO2 Fire Extinguishers are generally used for industrial fires.
- Ideal agent for class B, C & E fires.
- CO2 is electrically non-conductive therefore safe for fighting fires in electrically powered equipment.
- CO2 gas does not deteriorate with storage or freeze in container.
- Purity of our CO2 gas reaches 99.98%
- Valve is made from brass provided with safety release valve.
- CO2 extinguishers are made of seamless carbon steel materials to withstand high storage pressure.
- Snow horn with built-in nozzle specially designed to fit our valve to give the most efficient fire suppression.
- After use, CO2 disperses without leaving any contamination or corrosive residue.
- CO2 is colourless gas which reduces the oxygen of the air around the fire.
- Approved by UAE Civil Defence.
- Manufactured according to International Standards.
- Available in black and red colour.
- Other capacity of cylinders can be supplied upon request.

Specifications

SPECIFICATION	MODEL				
	FCD2	FCD5L	FCD4.5	FCD5	FCD6
CAPACITY (KG)	2	2.25	4.5	5	6
TEST RATING	13B	13B	34B	34B	34B
OPERATING PRESSURE (Bar)	70 Bar				
TEST PRESSURE (Bar)	250 Bar				
DISCHARGE TIME (Sec)	≥6	≥8	≥9	≥9	≥9
DISCHARGE RANGE (m)	3	3	4	4	4
EMPTY WEIGHT (KG)	5.95	6.45	11.1	11.1	15.3
GROSS WEIGHT (KG)	7.95	8.70	15.6	16.1	21.3
TEMPERATURE RANGE	-30°C +60°C				
MATERIAL	ST52				
VALVE	BRASS HOT STAMPING				
DISCHARGE NOZZLE	HORN	HORN	HORN & HOSE		
PAINT FINISH	ELECTROSTATIC POLYESTER EPOXY RESIN				
CLASS OF FIRE	B, C & E				





Firex LPCB Portable Carbon Dioxide Extinguishers

2 KG CARBON DIOXIDE

Specification

MODEL	FCD2
Fire Rating	34B
Classification	BC
LPCB Ref. No.	867Ba/10
Extinguishing Agent	CO ₂
Hydrostatic Test Pressure	250 Bar
Operating Pressure	70 Bar
Propellant	CO ₂
Max. Temp. Range	-30°C to +60°C
Agent Mass	2 Kg.
Total Mass	6.49 Kg.
Discharge Time	18 Sec.



Certificate No.: 867Ba

Description

Carbon Dioxide Fire extinguisher contains Carbon Dioxide as extinguishing agent.

Carbon Dioxide Fire extinguisher is examined and tested to the relevant clauses in accordance with BS EN 3 in order to provide test data for the Loss Prevention Certification Board scheme for portable fire extinguishers.

Carbon Dioxide is effective on Class B C fires and it's ideal for multi-risk fire.

Ready for instant use and simple to operate.

The valve is equipped with safety release pressure to avoid any bursting of cylinders during high temperature.

5 KG CARBON DIOXIDE

Specification

MODEL	FCD5
Fire Rating	89B
Classification	BC
LPCB Ref. No.	867Ba/11
Extinguishing Agent	CO ₂
Hydrostatic Test Pressure	250 Bar
Operating Pressure	70 Bar
Propellant	CO ₂
Max. Temp. Range	-30°C to +60°C
Agent Mass	5 Kg.
Total Mass	13.48 Kg.
Discharge Time	32.6 Sec.





Distributor-



Unique Multi Engineering Ltd.

A Firm of Fire Detection, Protection, Ventilation & Cooling System Solution

Mail: info@unique-ltd.com, uniquebd0707@gmail.com

Mobile: +8801716592522, +8801825451599

Web: www.unique-ltd.com

Firex BSI Portable Carbon Dioxide Extinguishers

2 KG CARBON DIOXIDE

Specification

MODEL	FC022
Fire Rating	34B
Classification	BC
KM No.	577694
Extinguishing Agent	CO ₂
Hydrostatic Test Pressure	250 Bar
Operating Pressure	70 Bar
Propellant	CO ₂
Max. Temp. Range	-30°C to +60°C
Agent Mass	2 Kg.
Total Mass	6.24 Kg.
Discharge Time	20 Sec.



BS EN3
KM No. 577694



PETROLS, OILS, PAINTS
FLAMMABLE GASES



GASEOUS FIRES

5 KG CARBON DIOXIDE

Specification

MODEL	FC025
Fire Rating	89B
Classification	BC
KM No.	577694
Extinguishing Agent	CO ₂
Hydrostatic Test Pressure	250 Bar
Operating Pressure	70 Bar
Propellant	CO ₂
Max. Temp. Range	-30°C to +60°C
Agent Mass	5 Kg.
Total Mass	13.38 Kg.
Discharge Time	27 Sec.





Distributor-



Unique Multi Engineering Ltd.

A Firm of Fire Detection, Protection, Ventilation & Cooling System Solution

Mail: info@unique-ltd.com, uniquebd0707@gmail.com

Mobile: +8801716592522, +8801825451599

Web: www.unique-ltd.com

Firex Standard Mobile Carbon Dioxide Extinguishers

Description

- CO2 Fire Extinguishers are generally used for industrial fires.
- Ideal agent for class B, C & E fires.
- CO2 is electrically non-conductive therefore safe for fighting fires in electrically powered equipment.
- CO2 gas does not deteriorate with storage or freeze in container.
- Purity of our CO2 gas reaches 99.98%
- Valve is made from brass provided with safety release valve.
- CO2 extinguishers are made of seamless carbon steel materials to withstand high storage pressure.
- Snow horn with built-in nozzle specially designed to fit our valve to give the most efficient fire suppression.
- After use, CO2 disperses without leaving any contamination or corrosive residue.
- CO2 is colourless gas which reduces the oxygen of the air around the fire.
- Approved by UAE Civil Defence.
- Manufactured according to International Standards.
- Available in black and red colour.
- Other capacity of cylinders can be supplied upon request.



Specifications

SPECIFICATION	MODEL				
	FCD10	FCD20	FCD30	FCD45	FCD60
CAPACITY (KG)	10	20	30	45	60
OPERATING PRESSURE (Bar)	70 Bar				
TEST PRESSURE (Bar)	250 Bar				
DISCHARGE TIME (Sec)	22	35	70	75	80
DISCHARGE RANGE (m)	3	3	4	4	4
TEMPERATURE RANGE	-20°C +60°C				
MATERIAL	ST52				
VALVE	BRASS HOT STAMPING				
HOSE LENGTH (m)	3	5	5	5	5
PAINT FINISH	ELECTROSTATIC POLYESTER EPOXY RESIN				
CLASS OF FIRE	B, C & E				



Petrol, Oil, Greases,
other alcohol



Propane, Butane, methane,
Acetylene, Town gas



Fires on electrical
equipment.



Distributor-



Unique Multi Engineering Ltd.

A Firm of Fire Detection, Protection, Ventilation & Cooling System Solution

Mail: info@unique-ltd.com, uniquebd0707@gmail.com

Mobile: +8801716592522, +8801825451599

Web: www.unique-ltd.com

LPCB

Firex LPCB Mobile Carbon Dioxide Extinguishers



Certified to EN1866
LPCB Ref. 1092c



0029/2015



0029/2015



Description

TIANBO Mobile fire extinguishers are designed for large industrial or marine fire risks where a large amount of fire extinguishing agent is required. Mobile extinguishers can be supplied in a choice of sizes and agents to suit specific applications.

CO₂ Units

- Designed and approved to EN1866
- Clean and highly effective
- One person operation
- Strong and stylish wheel for smooth moving



TECHNICAL DATA

MODEL	TMCD10	TMCD20	TMCD30
Extinguishing Medium	CO ₂	CO ₂	CO ₂
Capacity(kg)	10	20	30
Height(mm)	1220	1305	1590
Shell Diameter(mm)	152	219	219
Discharge Time Approx.(second)	35	35	35
Full Weight (kg)	46	100	117
Working Pressure(bar)	150	150	150
Test Pressure(bar)	225	225	225
Temperature Range	-30°C + 60°C	-30°C + 60°C	-30°C + 60°C
Fire Rating	144B	183B	183B
Approved to EN 1866	✓	✓	✓





Distributor-



Unique Multi Engineering Ltd.

A Firm of Fire Detection, Protection, Ventilation & Cooling System Solution

Mail: info@unique-ltd.com, uniquebd0707@gmail.com

Mobile: +8801716592522, +8801825451599

Web: www.unique-ltd.com

Firex Standard Portable Foam Fire Extinguishers

Description

- Foam Extinguishers are made of high quality ST14 by means of deep drawing.
- Foam Fire Extinguishers are effective on class A & B fire.
- Corrosive and impact resistant polyester paint finish (powder coating).
- All Extinguishers are coated internally for optimal protection against rust and corrosion.
- AFFF is an extinguishing agent which seals the burning surface against ignition.
- The valve provided with safety release valve to release the excess pressure.
- These extinguishers are manufactured according to International Standards and approved by local civil defence in U.A.E.
- Cylinders of different capacity can be supplied upon request.
- Foam Fire Extinguishers are available in cream color also.



Specifications of Portable Extinguishers

SPECIFICATION	MODEL			
	FF6L	FF9L	FF10L	FF12L
CAPACITY (Ltr)	6	9	10	12
DISCHARGE RANGE (m)	5	6	6	7
DISCHARGE TIME (sec)	≥28	≥30	≥32	≥35
TEST RATING	13A 113B	21A 183B	27A 183B	34A 233B
EMPTY WEIGHT (Kg)	2.5	3.55	3.55	3.98
GROSS WEIGHT (Kg)	8.5	12.55	13.55	15.98
OPERATING PRESSURE (Bar)	15			
TEST PRESSURE (Bar)	30			
EXTINGUISHING AGENT	AFFF FOAM			
TEMPERATURE RANGE	+5°C TO +60°C			
CYLINDER MATERIAL	COLD ROLLED STEEL SHEET			
VALVE	NICKLE PLATED WITH RIGID HANDLE & SAFETY VALVE PIN			
PAINTING	ELECTROSTATIC POLYESTER EPOXY RESIN			
CARTON SIZE (m ³)	0.014	0.024	0.024	0.03
CLASS OF FIRE	A B			



Wood, Rubber,
Paper, Textiles



Petrol, Oil, Greases,
other alcohol



Distributor-



Unique Multi Engineering Ltd.

A Firm of Fire Detection, Protection, Ventilation & Cooling System Solution

Mail: info@unique-ltd.com, uniquebd0707@gmail.com

Mobile: +8801716592522, +8801825451599

Web: www.unique-ltd.com

LPCB/BSI

LPCB & BSI Portable Foam Fire Extinguishers

LPCB Portable Foam Fire Extinguishers



Certificate No.: 867Ba



Specification

MODEL	FF6L	F6EP	FF9L
Classification	AB	AB	AB
LPCB Ref. No.	867Ba/12	867Ba/20	867Ba/13
Fire Rating	21A/183B	34A/183B	27A/233B
Extinguishing Agent	Foam	Foam	Foam
Hydrostatic Test Pressure	30 Bar	30 Bar	30 Bar
Operating Pressure	15 Bar	15 Bar	15 Bar
Propellant	Dry Nitrogen	Dry Nitrogen	Dry Nitrogen
Max. Temp. Range	+1°C to +60°C	+1°C to +60°C	+1°C to +60°C
Agent Volume	6 Ltr.	6 Ltr.	9 Ltr.
Total Mass	8.5 Kg.	8.5 Kg.	13.68 Kg.
Discharge Time	37 Sec.	37 Sec.	67.86 Sec.

BSI Portable Foam Fire Extinguishers



BS EN3
KM No. 577694

Specification

MODEL	FF6L	FF9L
Classification	AB	AB
KM No.	577694	577694
Fire Rating	13A/144B	21A/183B
Extinguishing Agent	3% AFFF	3% AFFF
Hydrostatic Test Pressure	30 Bar	30 Bar
Operating Pressure	15 Bar	15 Bar
Propellant	Dry Nitrogen	Dry Nitrogen
Max. Temp. Range	+1°C to +60°C	+1°C to +60°C
Agent Volume	6 Ltr.	9 Ltr.
Total Mass	8.5 Kg.	14.14 Kg.
Discharge Time	13 Sec.	37 Sec.



Distributor-



Unique Multi Engineering Ltd.

A Firm of Fire Detection, Protection, Ventilation & Cooling System Solution

Mail: info@unique-ltd.com, uniquebd0707@gmail.com

Mobile: +8801716592522, +8801825451599

Web: www.unique-ltd.com

Firex Standard Mobile Foam Fire Extinguishers



Description

- Foam Extinguishers are made of high quality ST14 by means of deep drawing.
- Foam Fire Extinguishers are effective on class A & B fire.
- Corrosive and impact resistant polyester paint finish (powder coating).
- All Extinguishers are coated internally for optimal protection against rust and corrosion.
- AFFF is an extinguishing agent which seals the burning surface against ignition.
- The valve provided with safety release valve to release the excess pressure.
- These extinguishers are manufactured according to International Standards and approved by local civil defence in U.A.E.
- Cylinders of different capacity can be supplied upon request.
- Foam Fire Extinguishers are available in cream color also.



Wood, Rubber,
Paper, Textiles



Petrol, Oil, Greases,
other alcohol



Specifications of Mobile Extinguishers

SPECIFICATION	MODEL					
	FF25L	FF50L	FF75L	FF100L	FF125L	FF150L
CAPACITY (Ltrs)	25	50	75	100	125	150
DISCHARGE RANGE (m)	8	10	10	10	12	12
OPERATING PRESSURE (Bar)	15					
TEST PRESSURE (Bar)	30					
EXTINGUISHING AGENT	AFFF					
TEMPERATURE RANGE	+5°C TO +60°C					
CYLINDER MATERIAL	COLD ROLLED STEEL SHEET					
VALVE	BRASS HOT STAMPING					
PAINTING	ELECTROSTATIC POLYESTER EPOXY RESIN					
CLASS OF FIRE	AB					



Distributor-



Unique Multi Engineering Ltd.

A Firm of Fire Detection, Protection, Ventilation & Cooling System Solution

Mail: info@unique-ltd.com, uniquebd0707@gmail.com

Mobile: +8801716592522, +8801825451599

Web: www.unique-ltd.com

LPCB

Firex LPCB Foam Mobile Fire Extinguishers



Certified to EN1866
LPCB Ref. 1092c



0029/2015



0029/2015



Foam units

Designed and approved to EN1866

Factory filled with high quality 3% AFFF Foam

One person operation

Strong and stylish wheel for smooth moving

Long throw foam nozzles with grip control.



TECHNICAL DATA

MODEL	TMFM50	TMPD100
Extinguishing Medium	AFFF Foam	AFFF Foam
Capacity(kg)	50	100
Height(mm)	1200	1200
Shell Diameter(mm)	300	400
Discharge Time Approx.(second)	35	35
Full Weight (kg)	77	140
Working Pressure(bar)	15	15
Test Pressure(bar)	26	26
Temperature Range	5°C +60°C	5°C +60°C
Fire Rating	IVB	IVB
Approved to EN 1866	✓	✓





Distributor-



Unique Multi Engineering Ltd.

A Firm of Fire Detection, Protection, Ventilation & Cooling System Solution

Mail: info@unique-ltd.com, uniquebd0707@gmail.com

Mobile: +8801716592522, +8801825451599

Web: www.unique-ltd.com

Firex Standard Portable Water Fire Extinguishers



Description

- Water Fire Extinguishers are made of high quality steel ST14.
- Water Fire Extinguishers are effective on class A fire.
- Corrosive and impact resistant polyester paint finish (powder coating).
- All Extinguishers are coated internally for optimal protection against rust and corrosion.
- The valve is provided with safety release valve to release the excess pressure.
- These extinguishers are manufactured according to International Standards and approved by Local Civil Defence in U.A.E.
- Cylinders of different capacity can be supplied upon request.
- Water Fire Extinguishers are available in Red colour.



Wood, Rubber,
Paper, Textiles

Specifications of Portable Extinguishers

SPECIFICATION	MODEL			
	FW6L	FW9L	FW10L	FW12L
CAPACITY (Ltr)	6	9	10	12
DISCHARGE RANGE (m)	6	7	7	8
DISCHARGE TIME (sec)	≥9	≥9	≥9	≥12
TEST RATING	8A	13A	21A	27A
EMPTY WEIGHT (Kg)	2.5	3.55	3.55	3.98
GROSS WEIGHT (Kg)	8.5	12.55	13.55	15.98
OPERATING PRESSURE (Bar)	15			
TEST PRESSURE (Bar)	30			
EXTINGUISHING AGENT	WATER			
TEMPERATURE RANGE	+5°C TO +60°C			
CYLINDER MATERIAL	COLD ROLLED STEEL SHEET			
VALVE	NICKLE PLATED WITH RIGID HANDLE & SAFETY VALVE PIN			
PAINTING	ELECTROSTATIC POLYESTER EPOXY RESIN			
CARTON SIZE (m³)	0.014	0.024	0.024	0.03
CLASS OF FIRE	A			





Distributor-



Unique Multi Engineering Ltd.

A Firm of Fire Detection, Protection, Ventilation & Cooling System Solution

Mail: info@unique-ltd.com, uniquebd0707@gmail.com

Mobile: +8801716592522, +8801825451599

Web: www.unique-ltd.com

LPCB/BSI

Firex LPCB & BSI Portable Water Fire Extinguishers

LPCB Portable Water Fire Extinguishers



Certificate No.: 867Ba

Specification			
MODEL	FW6L	FW6LP	FW9L
Classification	A	A	A
LPCB Ref. No.	867Ba/17	867Ba/19	867Ba/09
Fire Rating	13A	21A	21A
Extinguishing Agent	Water	Water Additive	Water
Hydrostatic Test Pressure	30 Bar	30 Bar	30 Bar
Operating Pressure	15 Bar	15 Bar	15 Bar
Propellent	Dry Nitrogen	Dry Nitrogen	Dry Nitrogen
Max. Temp. Range	+5°C to +60°C	+5°C to +60°C	+5°C to +60°C
Agent Volume	6 Ltr.	6 Ltr.	9 Ltr.
Total Mass	13.92 Kg.	13.92 Kg.	13.68 Kg.
Discharge Time	37 Sec.	37 Sec.	41 sec.

BSI Portable Water Fire Extinguishers



BS EN3
KM No. 577694

Specification	
MODEL	FW9L
Classification	A
KM No.	577694
Fire Rating	13A
Extinguishing Agent	Water
Hydrostatic Test Pressure	30 Bar
Operating Pressure	15 Bar
Propellent	Dry Nitrogen
Max. Temp. Range	+5°C to +60°C
Agent Volume	9 Ltr.
Total Mass	13.92 Kg.
Discharge Time	41 Sec.



WOOD, PAPER
CARD BOARD, FABRIC



Distributor-



Unique Multi Engineering Ltd.

A Firm of Fire Detection, Protection, Ventilation & Cooling System Solution

Mail: info@unique-ltd.com, uniquebd0707@gmail.com

Mobile: +8801716592522, +8801825451599

Web: www.unique-ltd.com

Firex Standard Mobile Water Fire Extinguishers

Description

- Water Fire Extinguishers are made of high quality steel ST14.
- Water Fire Extinguishers are effective on class A fire.
- Corrosive and impact resistant polyester paint finish (powder coating).
- All Extinguishers are coated internally for optimal protection against rust and corrosion.
- The valve is provided with safety release valve to release the excess pressure.
- These extinguishers are manufactured according to International Standards and approved by Local Civil Defence in U.A.E.
- Cylinders of different capacity can be supplied upon request.
- Water Fire Extinguishers are available in Red colour.



Specifications of Mobile Extinguishers

SPECIFICATION	MODEL				
	FW25L	FW50L	FW100L	FW125L	FW150L
CAPACITY (Ltrs)	25	50	100	125	150
DISCHARGE RANGE (m)	8	10	10	12	12
OPERATING PRESSURE (Bar)	15				
TEST PRESSURE (Bar)	30				
EXTINGUISHING AGENT	WATER				
TEMPERATURE RANGE	+5°C TO +60°C				
CYLINDER MATERIAL	COLD ROLLED STEEL SHEET				
VALVE	BRASS HOT STAMPING				
PAINTING	ELECTROSTATIC POLYESTER EPOXY RESIN				
CLASS OF FIRE	A				



Distributor-



Unique Multi Engineering Ltd.

A Firm of Fire Detection, Protection, Ventilation & Cooling System Solution

Mail: info@unique-ltd.com, uniquebd0707@gmail.com

Mobile: +8801716592522, +8801825451599

Web: www.unique-ltd.com

Firex Standard Portable & Mobile Wet Chemical Fire Extinguishers

Description

- Wet Chemical Extinguishers are made of high quality ST14 by means of deep drawing.
- Wet Chemical Extinguishers are effective on class A & F fires.
- Corrosive and impact resistant polyester paint finish (powder coating).
- All extinguishers have been coated internally for optimum protection against rust and corrosion.
- A new fire extinguisher additive that knocks down fires fast and effectively, preventing reignition.
- Non-toxic, non-corrosive, non-irritant and is harmless to humans and animals.
- Contains No halogens, CFC's or toxic products.
- Wet Chemical extinguishers are manufactured in accordance with the requirements of International Standards.
- Special size of cylinder capacity is available as per request.



Specifications of Portable Extinguishers

SPECIFICATION	MODEL				
	FWC2	FWC4.5	FWC6	FWC9	FWC12
CAPACITY (Ltr)	2	4.5	6	9	12
DISCHARGE RANGE (m)	5	7	8	8	10
DISCHARGE TIME (sec)	6	6	6	9	10
TEST RATING	5A 5F	13A 25F	13A 25F	21A 75F	21A 75F
OPERATING PRESSURE (Bar)	15	15	15	15	15
TEST PRESSURE (Bar)	30	30	30	30	30
EXTINGUISHING AGENT	WET CHEMICAL				
TEMPERATURE RANGE	-20°C TO 60°C	-20°C TO 60°C	-20°C TO 60°C	-20°C TO 60°C	-20°C TO 60°C
CYLINDER MATERIAL	COLD ROLLED STEEL				
VALVE	HOT STAMPING				
PAINT FINISH (external)	ELECTROSTATIC POLYESTER EPOXY RESIN				
PAINT FINISH (internal)	PVC LINED				
CLASS OF FIRE	A, F				

Specifications of Mobile Extinguishers

SPECIFICATION	MODEL					
	FWC20	FWC25	FWC30	FWC50	FWC100	FWC150
CAPACITY (Ltr)	20	25	30	50	100	150
DISCHARGE RANGE (m)	8	8	8	8	8	8
DISCHARGE TIME (sec)	20	25	28	42	55	75
TOTAL HEIGHT (mm)	1000	1000	1000	1000	1100	1200
HEIGHT OF EXTG. (mm)	900	900	900	900	950	1200
DIAMETER (mm)	252	252	252	320	480	480
HOSE LENGTH (mm)	3	3	3	5	5	5
EXTINGUISHING AGENT	WET CHEMICAL					
OPERATING PRESSURE (Bar)	15					
TEST PRESSURE (Bar)	30					
VALVE	NICKLE PLATED WITH RIGID HANDLE & SAFETY VALVE PIN					
BOTTOM BASE	POLYPROPANE PLASTIC WITH RUBBER MIXTURE TO PROVIDE STRONG AND FLEXIBLE COMBINED PROPERTIES WITH U.V. STABILIZER					
RISING PIPE	PLASTIC/ALUMINIUM					
CYLINDER MATERIAL	COLD ROLLED STEEL					
CLASS OF FIRE	A, F					



Wood, Rubber,
Paper, Textiles



Cooking Oil



Distributor-



Unique Multi Engineering Ltd.

A Firm of Fire Detection, Protection, Ventilation & Cooling System Solution

Mail: info@unique-ltd.com, uniquebd0707@gmail.com

Mobile: +8801716592522, +8801825451599

Web: www.unique-ltd.com

Firex Standard Portable FE-36 Fire Extinguishers



HFC-236fa



1,1,1,3,3,3 Hexafluoropropane

Description

- Steel cylinder of high quality ST14 by means of deep drawing and painted with anti-corrosive polyester paint (powder coating).
- FE-36 gas is effective on class A,B, C & E fires and it is ideal for multi-risk fire.
- Corrosion and impact resistant polyester finish.
- Equipped with entire brass valve with pistol system.
- Ready for instant use and simple to operate.
- Approved by UAE Civil Defence and it is manufactured according to International Standards.
- The valve is equipped with safety release pressure to avoid any bursting of cylinders during high temperature.
- Do not use on fires involving carbon disulphate and flammable metal.
- Available in Green and Red colour.

Specifications

SPECIFICATION	MODEL							
	FFE1	FFE2	FFE3	FFE4.5	FFE6	FFE9	FFE10	FFE12
CAPACITY (KG)	1	2	3	4.5	6	9	10	12
FIRE RATING	3A 13B	5A 21B	13A 34B	21A 89B	21A 144B	34A 144B	34A 144B	34A 144B
DIAMETER (MM)	90	110	130	135	160	185	185	185
BREADTH OF EXTG. (MM)	130	140	150	185	230	240	240	240
HEIGHT OF EXTG. (MM)	240	300	155	430	405	495	495	560
TOTAL HEIGHT (MM)	305	360	430	520	490	590	590	660
DISCHARGE RANGE (M)	5	5	8	8	8	8	8	8
DISCHARGE TIME (SEC)	≥6	≥6	≥9	≥9	≥9	≥9	≥15	≥15
EMPTY WEIGHT (KG)	0.7	1.2	1.25	2.1	2.5	3.55	3.55	3.98
GROSS WEIGHT (KG)	1.7	3.2	4.25	6.6	8.5	12.55	13.55	15.98
PACKING FINAL VOLUME (M ³)	0.004	0.007	0.008	0.013	0.014	0.024	0.025	0.03
CYLINDER WALL THK. (MM)	1.0	1.0	1.0	1.2	1.2	1.5	1.5	1.5
HOSE	NO HOSE		WITH HOSE AND HORN					
CLASS OF FIRE	A B C & E							
EXTINGUISHING AGENT	FE-36 GAS							
OPERATING PRESSURE (BAR)	15							
TEST PRESSURE (BAR)	30							
NOZZLE	TOUGH ABS PLASTIC WITH U.V. STABILIZER							
VALVE	NICKLE PLATED WITH RIGID HANDLE & SAFETY VALVE PIN							
BOTTOM BASE	POLYPROPANE PLASTIC WITH RUBBER MIXTURE TO PROVIDE STRONG AND FLEXIBLE COMBINED PROPERTIES WITH U.V. STABILIZER							
RISING PIPE	PLASTIC/ALUMINIUM							
TEMPERATURE RANGE	-30°C TO +60°C							
CYLINDER MATERIAL	COLD ROLLED STEEL							
PAINTING	ELECTROSTATIC POLYESTER EPOXY RESIN							
PRINTING	CLEAR ATTRACTIVE SCREEN PRINTING							
MOUNTING	WALL MOUNTING USING BRACKET							





Distributor-



Unique Multi Engineering Ltd.

A Firm of Fire Detection, Protection, Ventilation & Cooling System Solution

Mail: info@unique-ltd.com, uniquebd0707@gmail.com

Mobile: +8801716592522, +8801825451599

Web: www.unique-ltd.com

Firex Standard Portable Firex-200 Fire Extinguishers



HFC-227ea

CF₃ - CHF - CF₃

Heptafluoropropane

Description

- Steel cylinder of high quality ST14 by means of deep drawing and painted with anti-corrosive polyester paint (powder coating).
- FM-200 gas is effective on class A, B, C & E fires and it is ideal for multi-risk fire.
- Corrosion and impact resistant polyester finish.
- Equipped with entire brass valve with pistol system.
- Ready for instant use and simple to operate.
- Approved by UAE Civil Defence and it is manufactured according to International Standards.
- The valve is equipped with safety release pressure to avoid any bursting of cylinders during high temperature.
- Do not use on fires involving carbon disulphate and flammable metal.
- Available in white and red colour.
- Size capacity of cylinder can be supplied upon request.

Specifications

SPECIFICATION	MODEL							
	FFM1	FFM2	FFM3	FFM4.5	FFM6	FFM9	FFM10	FFM12
CAPACITY (KG)	1	2	3	4.5	6	9	10	12
FIRE RATING	3A 13B	5A 21B	13A 34B	21A 89B	21A 144B	34A 144B	34A 144B	34A 144B
DIAMETER (MM)	90	110	130	135	150	185	185	185
BREADTH OF EXTG. (MM)	130	140	150	185	230	240	240	240
HEIGHT OF EXTG. (MM)	240	300	155	430	405	495	495	560
TOTAL HEIGHT (MM)	305	360	430	520	490	590	590	660
DISCHARGE RANGE (M)	5	5	8	8	8	8	8	8
DISCHARGE TIME (SEC)	≥6	≥6	≥9	≥9	≥9	≥9	≥15	≥15
EMPTY WEIGHT (KG)	0.7	1.2	1.25	2.1	2.5	3.55	3.55	3.98
GROSS WEIGHT (KG)	1.7	3.2	4.25	6.6	8.5	12.55	13.55	15.98
PACKING FINAL VOLUME (M ³)	0.004	0.007	0.008	0.013	0.014	0.024	0.025	0.03
CYLINDER WALL THK. (MM)	1.0	1.0	1.0	1.2	1.2	1.5	1.5	1.5
HOSE	NO HOSE		WITH HOSE AND HORN					
CLASS OF FIRE	A B C & E							
EXTINGUISHING AGENT	FM-200 GAS							
OPERATING PRESSURE (BAR)	15							
TEST PRESSURE (BAR)	30							
NOZZLE	TOUGH ABS PLASTIC WITH U.V. STABILIZER							
VALVE	NICKLE PLATED WITH RIGID HANDLE & SAFETY VALVE PIN							
BOTTOM BASE	POLYPROPANE PLASTIC WITH RUBBER MIXTURE TO PROVIDE STRONG AND FLEXIBLE COMBINED PROPERTIES WITH U.V. STABILIZER							
RISING PIPE	PLASTIC/ALUMINIUM							
TEMPERATURE RANGE	-30°C TO + 60°C							
CYLINDER MATERIAL	COLD ROLLED STEEL							
PAINTING	ELECTROSTATIC POLYESTER EPOXY RESIN							
PRINTING	CLEAR ATTRACTIVE SCREEN PRINTING							
MOUNTING	WALL MOUNTING USING BRACKET							



Distributor-



Unique Multi Engineering Ltd.

A Firm of Fire Detection, Protection, Ventilation & Cooling System Solution

Mail: info@unique-ltd.com, uniquebd0707@gmail.com

Mobile: +8801716592522, +8801825451599

Web: www.unique-ltd.com

Standard Fire Suppression Systems Firex-200 (Clean Agent)

APPLICATIONS

- Telecommunications Facilities
- Special Storage Facilities
- Computer Operations Rooms
- Data / Equipment Control Room
- Marine Systems
- Record and Archive Storage
- Museums
- Universities and Colleges
- Pharmaceutical and Medical Facilities
- Industrial Applications
- Petrochemical Installations

Firex-200 Fire Suppression System (Clean Agent) (HFC-227ea Heptafluoropropane)

HFC-227ea (chemically known as Heptafluoropropane) was developed to replace Halogenated Agent in January 1994. The replacement was done due to the intense ozone depletion caused by the Halogenated Agent. In contrast, HFC-227ea complies with NFPA Standard 2001. Tests after tests had confirmed that HFC-227ea is capable to extinguish fire in seconds, safe for human and hold damage on assets to a minimum. No facility in this world can afford the loss of human, money, time, & assets that occurs after a fire.

HFC-227ea manufactured in strict accordance with Civil Defence regulations as well as NFPA 2001. The HFC-227ea suppression agent is stored in various sizes of containers with valve assemblies consisting of an immediate acting rupture disc and an electrical actuator. A pressure gauge is also installed to allow a quick inspection of container pressure.



- We reserve the right to change the components without prior notice, subject to availability.



Distributor-



Unique Multi Engineering Ltd.

A Firm of Fire Detection, Protection, Ventilation & Cooling System Solution

Mail: info@unique-ltd.com, uniquebd0707@gmail.com

Mobile: +8801716592522, +8801825451599

Web: www.unique-ltd.com



Kitemarked Clean Agent Fire Suppression System (Firex200)

Heptafluoropropane, HFC-227 or HFC-227ea, as well as apafurane, is a colorless, odorless gaseous halocarbon commonly used as a gaseous fire suppression agent.

HFC-227ea was developed to replace Halogenated Agent in January, 1994. The replacement done due to the intense Ozone depletion caused by Halogenated Agents.

Firex200 agent (HFC-227ea) is a clean agent complies with BS EN 15004-5:2008. Tests after test confirmed that (HFC-227ea) is capable to extinguish fire in seconds, safe for human and hold extinguish damage in assets to a minimum.

Our Gas Extinguishing System model **[Firex200]** is a clean agent fire Suppression System designed and manufactured by **(FIREX)** and approved to BS EN 15004-1:2008 by British Standards Institution (BSI) under Kite mark number **[KM 606270]**.

The above system mentioned is accredited by **United Arab Emirates [UAE]** and other **GCC** civil defense.

Gas Extinguishing System model **[Firex200]** can be provided with various Agent containers sizes filled with (HFC-227ea), pressurized by Nitrogen and fitted with discharge valve head just ready to be connected to the system pipe works according the system design.

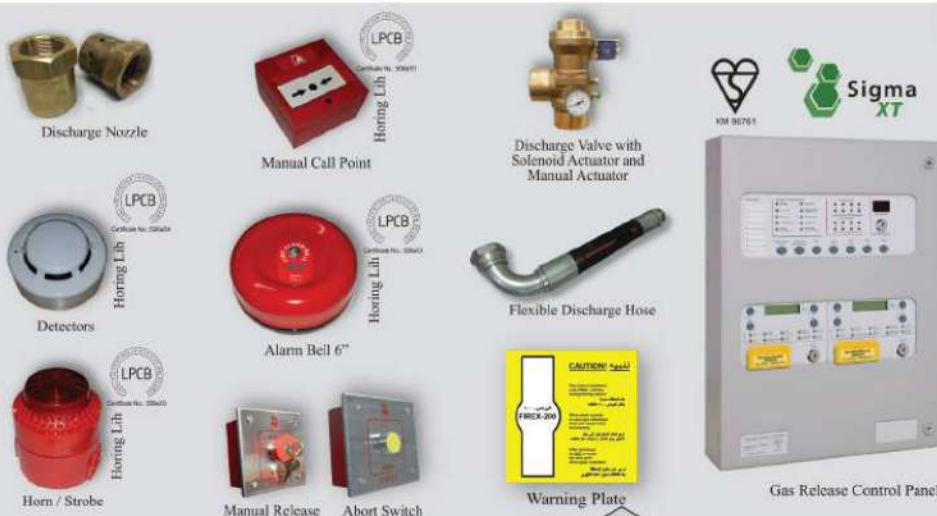
The cylinders heads Valves equipped with pressure gauges, and Pressure switches for easy inspection and operation.



BS EN 15004-1:2008
KM. NO. 606270

Firex200 can be used for all or any of the following applications:

- Computer rooms
- Telecommunication centers
- Records and data archives
- Testing / imaging equipment
- Reference material
- Chemical laboratories
- Clean rooms
- Control rooms
- Flammable liquid storage
- Robotic equipment
- Textile manufacturing
- Electric utility facilities
- Media storage
- Art / artifacts / historical collections





Exova Fire Suppression Systems Firex-200 (Clean Agent)

Firex-200 Fire Suppression System (Clean Agent) (HFC-227ea Heptafluoropropane)

HFC-227ea (chemically known as Heptafluoropropane) was developed to replace Halogenated Agent in January 1994. The replacement was done due to the intense ozone depletion caused by the Halogenated Agent. In contrast, HFC-227ea complies with NFPA Standard 2001. Tests after tests had confirmed that HFC-227ea is capable to extinguish fire in seconds, safe for human and hold damage on assets to a minimum. No facility in this world can afford the loss of human, money, time, & assets that occurs after a fire.



CERTIFICATE OF APPROVAL
No. ME 5005

MECHANICAL COMPONENTS



Discharge Nozzle

Discharge Valve with Solenoid Actuator

Flexible Discharge Hose

ELECTRICAL COMPONENTS



Alarm Bell

Horn / Strobe

Detectors

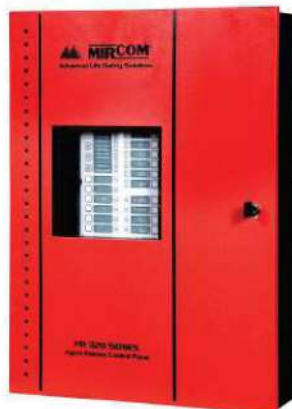


Abort Switch

Manual Release



Warning Plate



Control Panel





Distributor-



Unique Multi Engineering Ltd.

A Firm of Fire Detection, Protection, Ventilation & Cooling System Solution

Mail: info@unique-ltd.com, uniquebd0707@gmail.com

Mobile: +8801716592522, +8801825451599

Web: www.unique-ltd.com

Fire Suppression Systems - SEVO Clean Agent

Clean Agent

SEVO SYSTEMS

Designed for

use with **3M**

Novec™ 1230
Fire Protection Fluid



U. S. A

New 3M Novec 1230 Fire Protection Fluid represents a breakthrough in halon replacement technology—combining high extinguishing efficiency with excellent environmental, health and safety properties.



3M™ Novec 1230 Fire Protection Fluid is a next-generation halon replacement, designed to alleviate concerns for human safety, performance and the environment. Unlike first-generation HFCs, Novec 1230 fluid has the key features defining sustainable clean agent.

- Zero ozone depletion potential
- A global warming potential of one
- Five-day atmospheric lifetime
- A large margin of safety for occupied spaces

With Zero Ozone Depletion potential, 5-day atmospheric lifetime and a Global Warming Potential of One, Novec fluid offer your customers a long-term, sustainable alternative to Halons, HFCs and PFCs.

Because of its wide margin of safety, Novec1230 fluid is ideal for special hazards fire protection such as telecommunication switch rooms, computer and electronic control rooms, including hospitals casinos, library archives, marine applications, plus critical military and flight line operations.

Retrofit Packages

Compatible with most current detection and control equipment.
Package include:

Pre-engineered system cylinders, charges with 3M Novec 1230 Fire Protection Fluid. Available in 40 to 910 lb capacities.

Cylinder Valves of pressure-seated, high flow rate design, to meet the rapid discharge time specified in NFPA 2001. Each has a brass body, brass piston with resilient seat, pressure-releasing pilot check, safety disc assembly, pressure gauge and an electric solenoid valve. Available in different sizes from 1.25" to 3".

Pre-engineered system nozzles designed to provide and through mixing of agent with air, and to provide coverage for a wide area. Available in different sizes from 0.5" to 2.5", in either 180° or 360° discharge pattern.





Distributor-



Unique Multi Engineering Ltd.

A Firm of Fire Detection, Protection, Ventilation & Cooling System Solution

Mail: info@unique-ltd.com, uniquebd0707@gmail.com

Mobile: +8801716592522, +8801825451599

Web: www.unique-ltd.com

Firex's Fixed Fire extinguishing system for Kitchens {FX-KHS}

FIREX's **FX-KHS** is fixed fire extinguishing system for the kitchens fat fires using special wet chemical discharged from nozzles already worked to the wet chemical tank.

The system can be actuated automatically or manually as required. The automatic actuation will be caused when one or more of the fusible links breaks loosening the cord which holding the system on standby when the cord become loose the discharge valve will be actuated allowing the wet chemical to discharge from the cylinder then to sprayed on the fire knocking down the temperatures to become below the oil/fat ignition temperatures and extinguish the fire with layer of foam or all surface to prevent the re-ignition.

FIREX's **FX-KHS** features 24-Hour automatic or manual protection for commercial cooking areas; ducts, plenums, hoods and cooking surfaces.



**For Commercial
&
Residential Premises**



Distributor-



Unique Multi Engineering Ltd.

A Firm of Fire Detection, Protection, Ventilation & Cooling System Solution

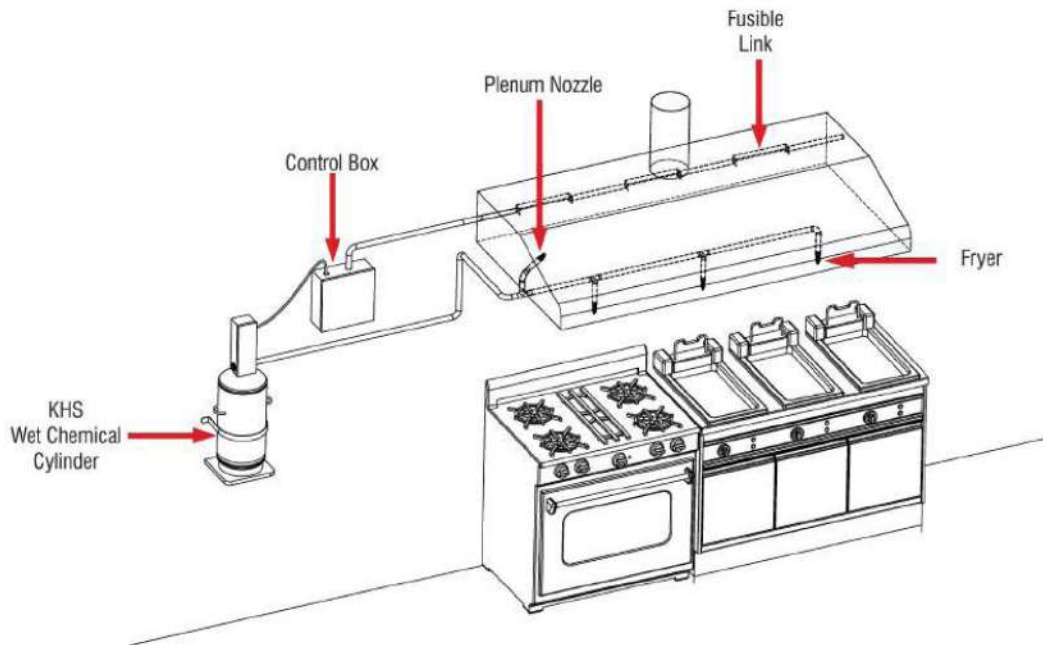
Mail: info@unique-ltd.com, uniquebd0707@gmail.com

Mobile: +8801716592522, +8801825451599

Web: www.unique-ltd.com

Firex's Fixed Fire extinguishing system for Kitchens {FX-KHS}

FIREX's FX-KHS has been certified by LPCB recently to LPS 1223





Distributor-



Unique Multi Engineering Ltd.

A Firm of Fire Detection, Protection, Ventilation & Cooling System Solution

Mail: info@unique-ltd.com, uniquebd0707@gmail.com

Mobile: +8801716592522, +8801825451599

Web: www.unique-ltd.com

Firex Fire Suppression Systems - CO₂ System

CO₂ System

Carbon Dioxide Fire Suppression System consists of one or more bank of cylinder storage containers to supply the CO₂ extinguishing agent. Flexible discharge bends or hoses connects the cylinders into a piping manifold. The manifold in turn distributes the agent into the piping network. Nozzles regulate the flow of CO₂ into the protected area.

CO₂ is Electrically Non-conductive

Carbon Dioxide fire extinguishing systems can be used to protect a wide variety of hazards from delicate electronic equipment without danger or damage.

CO₂ is Non-Damaging

When designed, engineered and installed properly, Carbon Dioxide fire suppression systems will not normally damage sensitive electronic equipment. Carbon Dioxide has no residual clean-up associated with its use as a fire suppressing agent. When it is properly ventilated, the gas escapes to atmosphere after the fire has been extinguished.



Solenoid Valve Electric Actuator



Manual Pneumatic Valve



High Pressure Discharge Hose



Discharge Nozzle



Discharge Nozzle



APPLICATIONS

Telecommunications
Museums
Switch Rooms
Computer Rooms
Archives
Laboratories
Paper Storage



Distributor-



Unique Multi Engineering Ltd.

A Firm of Fire Detection, Protection, Ventilation & Cooling System Solution

Mail: info@unique-ltd.com, uniquebd0707@gmail.com

Mobile: +8801716592522, +8801825451599

Web: www.unique-ltd.com

Firex Fire Suppression Systems - Argonite System

Argonite System - TG 55



APPLICATIONS

Telecommunications
Museums
Switch Rooms
Computer Rooms
Archives
Laboratories
Paper Storage

Argonite Fire Protection Systems are clean agent, automatic extinguishing systems that use Argonite (IG-55) and consist of four basic components and their associated accessories:

- Argonite Cylinders and Components,
- Completer Kits,
- Control Panels,
- Detection and Alarm Devices.

Argonite is an inert gas mixture, in equal parts, of Nitrogen and Argon. Both substances are naturally occurring and present in the atmosphere. Argonite is safe for use in occupied spaces and poses no threat to the environment.

AGENT DESCRIPTION

Argonite is a mixture of 50% pure Nitrogen and 50% pure Argon. Argonite contains only naturally occurring substances, and as such, has no ozone depletion potential and no direct global warming potential. Argonite extinguishes by means of reducing the oxygen content within a room to the point at which fire can no longer burn, but without compromising the safety of individuals present. There are no toxicological factors associated with the use of Argonite. Argonite will not decompose or produce any by-products when exposed to a flame from a fire condition. Argonite systems are designed to extinguish fires with a minimum agent concentration of 37.9% achieved within one minute. This results in extinguishment of the fire and an oxygen concentration of 13%. Argonite is stored as a gas within the cylinder assembly. It is available at a storage pressure of 2900 PSI (200 bar).



Air Relief Valve



Discharge Nozzle with Horn



Check Valve



Safety Valve



Distributor-



Unique Multi Engineering Ltd.

A Firm of Fire Detection, Protection, Ventilation & Cooling System Solution

Mail: info@unique-ltd.com, uniquebd0707@gmail.com

Mobile: +8801716592522, +8801825451599

Web: www.unique-ltd.com

Firex Foam

General Description

Firex Foam is used for fire suppression. Its role is to cool the fire and to coat the fuel, preventing its contact with oxygen, resulting in suppression of the combustion.

The AFFF (Aqueous Film Forming Foam) foam concentrate consisting of fluoro-carbon and hydrocarbon surfactant blended with various solvents, preservatives and stabilizers. This foam forms an aqueous film that quickly cuts off the oxygen supply and thus stopping the fire from burning. The foam also forms a stable blanket that suppresses the release of flammable vapours and cool down the fuel surface extinguishing the fire and preventing re-ignition.

The FP 3% is a fluoro-protein foam concentrate containing fluorinated surfactant in a carefully formulated protein foam liquid base. This ensures the production of stabilized fluid foam which will cover a burning fuel. The water soluble fluorosurfactant makes the foam hydrocarbon repellent and reduces the amount of burning particles absorbed by the foam. Once the fire extinction has been achieved the high stability of the foam blanket ensures the prevention of re-ignition.

Both the AFFF and the FP 3% foam are intended for use on class B hydrocarbon fuel fires such as oil, diesel and aviation fuel. The FP 3% can be applied directly onto the fire surface and is also suitable for sub surface injection and the AFFF can be used with both aspirating and non aspirating discharge devices. And they are compatible with all dry chemical powder and can be used in powder/foam twin agent systems.





Distributor-



Unique Multi Engineering Ltd.

A Firm of Fire Detection, Protection, Ventilation & Cooling System Solution

Mail: info@unique-ltd.com, uniquebd0707@gmail.com

Mobile: +8801716592522, +8801825451599

Web: www.unique-ltd.com

Fomtec Foam



FOMTEC FOAM

Fomtec, a leading manufacturer of high quality fire protection products has authorized Firex to distribute a wide range of foam concentrate. And these foam concentrates are the following:



AFFF 3% Ultra FOAM CONCENTRATE

Fomtec AFFF 3% Ultra is an aqueous film forming foam concentrate (AFFF) consisting of fluorocarbon and hydrocarbon surfactants blended with various solvents, preservatives and stabilisers.

The foam forms an aqueous film that rapidly cuts off the oxygen supply and thus knocks down the fire. The expanded foam from which the film is drained forms a stable blanket that suppresses the release of flammable vapours and cools down the fuel surface extinguishing the fire and preventing re-ignition.

Application

Fomtec AFFF 3% Ultra is intended for use on class B hydrocarbon fuel fires such as oil, diesel and aviation fuels. It can be used with both aspirating and non-aspirating discharge devices.

Fomtec AFFF 3% Ultra is especially suited whenever rapid fire knock-down is essential. It is compatible with all dry chemical powders and can be used in powder/foam twin agent systems.

AFFF 6% Ultra also UL listed.

ARC 3x3 Ultra FOAM CONCENTRATE

Fomtec ARC 3x3 Ultra is an ultra efficiency multi purpose film forming foam (3x3).

The main advantage of Fomtec ARC 3x3 Ultra is the 3% induction ratio on hydrocarbon fires and 3% on polar solvents.

The film forming characteristics of Fomtec ARC 3x3 Ultra means that it spreads rapidly across a fire. As a result, it is highly effective against hydrocarbon fires and with the addition of special polymers it is also highly effective against polar solvents.

Application

Fomtec ARC 3x3 Ultra is intended for use on class B hydrocarbon fuel as well as on polar solvent i.e Isopropanol, Methanol etc and other foam destroying product fires such as MTBE. It can be used with both aspirating and non-aspirating discharge devices. It is compatible with all dry chemical powders.

ARC 1X3 Ultra and **ARC 3x6 Ultra** also UL listed.



Distributor-



Unique Multi Engineering Ltd.

A Firm of Fire Detection, Protection, Ventilation & Cooling System Solution

Mail: info@unique-ltd.com, uniquebd0707@gmail.com

Mobile: +8801716592522, +8801825451599

Web: www.unique-ltd.com

Fomtec Foam



FOMTEC FOAM



FP 6% UL FOAM CONCENTRATE

Fomtec FP 6% UL is a fluoroprotein foam concentrate containing fluorinated surfactants in a carefully formulated protein foam liquid base. This ensures the production of a stabilised fluid foam which will cover a burning hydrocarbon fuel surface rapidly.

Application

Fomtec FP 6% UL is intended for use on class B hydrocarbon fuel fires such as oil, diesel and aviation fuels. Fomtec FP 6% UL can be applied directly onto the fire surface and is also suitable for sub surface injection. It is compatible with all dry chemical powders and can be used in powder/foam twin agent systems.

In addition to the above UL listed foams, Fomtec has a wide range of foams with certifications for other sectors, such as marine and shipping (IMO SOLAS), civil aviation (ICAO level B), military (UK Defence) and many approvals to European Standard EN 1568. All of these are available from Firex.

FP 3% UL also UL Listed.

FFFP ARC 3x3 NV NEWTONIAN FOAM CONCENTRATE

Fomtec FFFP ARC 3x3 NV Avalanche is a high efficiency multipurpose alcohol resistant film forming fluoroprotein foam (3x3) concentrate.

Fomtec FFFP ARC 3x3 NV is a liquid based on environmentally friendly natural protein and does not contain any polymer that makes general AR type foam concentrates viscous. Its high fluidity makes the induction easier and accurate through both portable and fixed inline proportioners even at extremely low temperatures (-18°C).

The advantage of Fomtec FFFP ARC 3x3 NV is the 3% induction ratio on all class B fires including polar solvents in fresh or seawater.

The low surface tension of the water foam concentrate solution enables the aqueous film, although heavier than the burning liquid, to float on top of the hydrocarbon fuel surface. The specially selected fluorocarbon surfactants 'seal' the bubbles against attack from polar solvents and also provide a highly effective floating foam layer on top of the polar solvents.

Application

Fomtec FFFP ARC 3x3 NV is intended for use on class B hydrocarbon fuel as well as on polar solvent i.e Isopropanol, Methanol etc and other foam destroying product fires such as MTBE. Typical applications are bulk storage tank protection, process areas, power stations, marine terminals, municipal fire departments, offshore platforms etc. It is compatible with all dry chemical powders.

Fire Performance & Foaming

Fomtec FFFP ARC 3x3 NV has been designed to give the best properties of

- Aqueous film forming foam
- Alcohol resistant foam
- Fluoro protein foam

The fire performance of this product has been measured and documented according to "International Approvals" stated in this document. The foaming properties are depending on equipment used and other variables such as water and ambient temperatures. Average expansion 6:1, average ¼ drainage time 02:20 minutes using UNI 86 test nozzle.



Distributor-



Unique Multi Engineering Ltd.

A Firm of Fire Detection, Protection, Ventilation & Cooling System Solution

Mail: info@unique-ltd.com, uniquebd0707@gmail.com

Mobile: +8801716592522, +8801825451599

Web: www.unique-ltd.com

Firex Standard Foam and Bladder Tanks

Description

The Firex Bladder Tank is one component in a balance pressure foam proportioning system. It requires no external power, other than the water pressure to ensure correct operation. The Vertical and Horizontal Bladder tanks are designed and constructed in accordance with the latest revisions to ASME code, Section VIII for unfired pressure vessels with a working pressure of 175 psi and tested to one and half times this pressure.

The tank shell water inlet will be screened to prevent bladder blow out or the entrapment of debris between the tank shell and the bladder. All other openings greater than 1" is screened to prevent bladder blowout.

Specifications

The tank shell is constructed of steel, complying with ASME specifications, possessing a tensile strength of not less than 70,000 psi. The circumferential, as well as the longitudinal body seam, is machine welded. The tank interior is sand blasted white and have all welds and edges ground smooth.





Distributor-



Unique Multi Engineering Ltd.

A Firm of Fire Detection, Protection, Ventilation & Cooling System Solution

Mail: info@unique-ltd.com, uniquebd0707@gmail.com

Mobile: +8801716592522, +8801825451599

Web: www.unique-ltd.com

UL Listed Foam Bladder Tanks



Bladder Tank



Product Summary

Magnum Bladder Tanks are the main component in a balanced pressure proportioning system. The Magnum Bladder Tank is an ASME coded pressure vessel. The tanks are constructed of SA 516 GR.70 carbon steel and include a neoprene rubber bladder with nylon reinforcements and a perforated pvc center tube. Magnum Bladder Tanks are available in both vertical and horizontal configurations and are an option in many high risk areas. The uncomplicated design avoids the risk of a system failure and the ease of operation requires no outside source. The Magnum Bladder Tanks are also offered with pre-piped ratio controllers, UL listed with sizes 3", 4", 6" and 8".

Standard Features

- Design Working Pressure of 175 PSIG
- Hydro Tested at 263 PSIG
- Constructed of Carbon Steel
- Includes a Neoprene Rubber Bladder with Nylon Reinforcements
- Lifting Lugs
- Vertical Tanks are mounted on a skirt with holes drilled for anchoring.
- Horizontal Tanks are mounted on welded saddles with holes drilled for anchoring.
- Stainless Steel ASME Nameplate
- ASME Code Section VIII, Division 1 U-Stamped
- National Board Registration
- The exterior of all bladder tanks will be prepared and finished with a high gloss urethane.



Distributor-



Unique Multi Engineering Ltd.

A Firm of Fire Detection, Protection, Ventilation & Cooling System Solution

Mail: info@unique-ltd.com, uniquebd0707@gmail.com

Mobile: +8801716592522, +8801825451599

Web: www.unique-ltd.com

Firex Foam Equipments

Features- Hose Reel Station

Nozzle is a air-aspirating type, which has a better stream and gives a constant flow.

Foam concentrate storage tank is manufactured of 316 stainless steel or GRP.

Foam Inductor is mounted on top of tank.

Tank is supplied with 1/2" drain valve and 4" fill opening on top of tank.

Tank can be refilled during operation of the unit.

In-line eductor has a variable metering valve 1% - 3% - 6%.

Suitable for use with any type of foam concentrate.

Hose Reel Station

Available capacities
50 Gln, 100 Gln, 150 Gln.



High Expansion
Foam Generator

Available capacities
50 Ltr, 100 Ltr, 150 Ltr.

Foam Master



Foam Master



Foam Inductor
with pick up tube



Medium expansion
Foam branch pipe



Low expansion
Foam branch pipe



Distributor-



Unique Multi Engineering Ltd.

A Firm of Fire Detection, Protection, Ventilation & Cooling System Solution

Mail: info@unique-ltd.com, uniquebd0707@gmail.com

Mobile: +8801716592522, +8801825451599

Web: www.unique-ltd.com

Firex Monitors

Monitor & Nozzle



Handle Operated Monitor

Suitable for flows up to 1000 GPM
 2½" NHT male outlet
 360° Horizontal travel
 Vertical 135° (90° above to 45° below)
 Locking device for horizontal & vertical position
 Stainless steel handle for control horizontal and vertical position
 3" stainless steel water way
 4" ANSI inlet flange gun metal RF



Handle Operated Monitor

Suitable for flows up to 1000 GPM
 2½" NHT male outlet
 360° Horizontal travel
 Vertical 135° (90° above to 45° below)
 Locking device for horizontal & vertical position
 Stainless steel handle for control horizontal and vertical position
 Material construction Gun Metal
 4" ANSI inlet flange gun metal RF



Double Wheel Operated Monitor

Suitable for flows up to 1000 GPM
 2½" NHT male outlet
 360° Horizontal travel
 Vertical 150° (90° above to 60° below)
 Horizontal and vertical position controlled by double handwheel driven worm gear
 Material for body, gear, nozzle : Gun metal
 Materials for handle : Aluminium Alloy
 4" ANSI inlet flange gun metal RF



Portable Monitor

Suitable for flows up to 1000 GPM
 2½" NHT male outlet
 Inlet: male instantaneous or female NHT
 Carrying handle
 Handwheel driven for vertical movement 700 above
 360° Horizontal movement with twist lock
 Inlet two 2-½" NHT female or with BS male instantaneous
 Material body : Stainless steel and aluminium alloy
 Material for stand : Mild steel
 Material for nozzle : Gun Metal
 Material for Inlet : Gun Metal



Oscillating Monitor

Automatic horizontal oscillation when water pass through monitor
 Oscillation angle adjustable in 15 steps from 300° to 120°
 Oscillating speed adjustable from 2 to 10 per sec.
 Manual movement 360° horizontal
 4" ANSI inlet flange gun metal RF
 3" stainless steel waterway
 Nozzle and flange in gun metal
 Oscillating mechanism: Aluminium
 Cover : Mild Steel



Monitor Air Aspirating Nozzle

Inlet 2-½" NHT female for connection to monitor
 Flowrate up to 500 GPM @ 7bar
 Stream pattern adjustable with lever from straight stream to fan type
 Throw range 45m @ 7bar
 Foam expansion ratio 7-10
 Available with foam inductor
 material of construction aluminium alloy

Monitor Nozzle



WITH FOAM INDUCTOR

Material of construction Gun Metal

Straight stream and fog pattern

Optional chrome finish

Foam monitor nozzle with built in foam inductor, flexible hose and pick up tube, can be fitted to existing monitor and pick up tube place in a 200L foam drums for immediate AFFF application.

Type	Setting	Flowrate GPM at 6.8 bar (100 psi)	Effective reach Feet at 6.8 bar (100 psi)
350	SS	290	140
	30 deg.fog	350	90
500	SS	405	130
	30 deg.fog	500	50
1000	SS	780	260
	30 deg.fog	1000	135
500 with Foam Inductor	SS	475	162
	30 deg.fog		80



Distributor-



Unique Multi Engineering Ltd.

A Firm of Fire Detection, Protection, Ventilation & Cooling System Solution

Mail: info@unique-ltd.com, uniquebd0707@gmail.com

Mobile: +8801716592522, +8801825451599

Web: www.unique-ltd.com

Firex Standard Fire Hoses (Aquaplus)

Fire Hose (Layflat)

FIREX Fire Hoses are the highest quality and are widely used by fire brigades and industrial users. Available as either coated or uncoated., 75 ft in lengths up to 100 ft. and including 150 fts. (45m). Firex fire hose is ideal for washdown and can be supplied in Red and White.

Firex Fire Hoses are coated comprise close woven synthetic layer filament yarns for light and exceptional strength.

Specifications of Fire Hose

Model No.	FXHS-38 (1½")
	FXHS-65 (2½")
Material	External & internal and rubber lining combined with closely woven polyester fiber reinforcement.
Standard Coil Length	25, 30, 40, 45 & 60 m
Standard Specification	BS 6391 TYPE - 1
Test Pressure	30 Bar
Working Pressure	16-20 Bar
Burst Pressure	50-60 Bar
Available sizes (dia.)	1½" & 2½"
Color	Red & White



Features:

Flexible hose with rubber reinforcement.

Outside Finish: Smooth (corrugated available).

Tubing is supplied in 20m and 30m lengths as standard.

Other lengths are available.



Distributor-



Unique Multi Engineering Ltd.

A Firm of Fire Detection, Protection, Ventilation & Cooling System Solution

Mail: info@unique-ltd.com, uniquebd0707@gmail.com

Mobile: +8801716592522, +8801825451599

Web: www.unique-ltd.com

UL/FM Fire Hoses

Fire Hose

UL/FM FIRE HOSE DATA SHEET

PRODUCT DESCRIPTION

UL/FM LISTED FIRE HOSE, SINGLE JACKET, WP 250PSI, BP 750PSI, 2.5"/1.5"

CONSTRUCTION

UL/FM FIRE HOSE is the ultimate in quality, municipal grade fire hose. This hose is constructed of single jacketed spun synthetic polyester warp threads and polyester filament filler threads with Hot Melting Adhesive and EPDM Lining. Its engineered design guarantees minimum weight with maximum durability and flexibility. The standard color for this hose is white.

FEATURES

EPDM rubber liner, Kink resistant, Low Maintenance, UL/FM Listed
Ozone resistant



TECHNICAL DATA

Outer Jacket-weft	Spun polyester
Outer Jacket-warp	Polyester filament
Inner Diameter	2.5"/1.5"
Available Length(Mtr)	15, 23, 30 & 45
Liner	EPDM Rubber, extruded
Working pressure (WP)	250PSI (18 Bar)
Bursting pressure (BP)	750PSI (53 Bar)
Weaving	Twill
Temperature range	-30°C to 70°C
Approvals	UL/FM listed

PVC FIRE HOSE

Model: Synmex FU651

Features

Light weight
Good elasticity
Small flow resistance
Easy to wind and roll



Distributor-



Unique Multi Engineering Ltd.

A Firm of Fire Detection, Protection, Ventilation & Cooling System Solution

Mail: info@unique-ltd.com, uniquebd0707@gmail.com

Mobile: +8801716592522, +8801825451599

Web: www.unique-ltd.com

UL Fire Hoses



Magmex Fire Hose

All Synthetic, EPDM Rubberlined Fire Hoses



Construction

Outer Jacket woven with high tenacity synthetic yarn on fully automated circular weaving looms.

Inner Lining

Ultra light weight synthetic EPDM Rubber lining having low friction loss and very high ozone resistance.

Characteristics

- 100% synthetic construction having:
- Resistant to sea-water and ozone
- Resistant to mildew and fungus
- High pressure ratings
- Flexible, compact and easy to clean
- Temperature range from -40°C to 100°C
- Colour : Silver White

Standard Lengths

15mtr, 18.3mtr, 22.5mtr and 30mtr

Application

- Fire brigades
- High rise buildings
- Power plants
- Steel plants
- Railways
- Sailing vessels,
- Thermal Power Plants,
- Pharmaceutical Industries
- And other industries.

Approvals:

- ISI marked under IS:636/1988 Type A
- KITE MARK Approval under British Standards BS:6391 Type 1
- UL Listed under UL-19 (USA)
- Lloyds Approved to BS:6391
- DG-Shipping (MMD Approved)
- ISO:9001:2008 quality systems
- EIL Approved

Size mm/inches	Max Wt gm/mtr	Working Pressure		Proof Pressure		Burst Pressure	
		PSI	Kg/cm2	PSI	Kg/cm2	PSI	Kg/cm2
38 / 1½"	255	260	18	320	22	600	42
50 / 2"	330	260	18	320	22	600	42
63.5 / 2½"	410	260	18	320	22	575	40
70 / 2¾"	460	260	18	320	22	575	40
76 / 3"	470	260	18	320	22	550	43





Distributor-



Unique Multi Engineering Ltd.

A Firm of Fire Detection, Protection, Ventilation & Cooling System Solution

Mail: info@unique-ltd.com, uniquebd0707@gmail.com

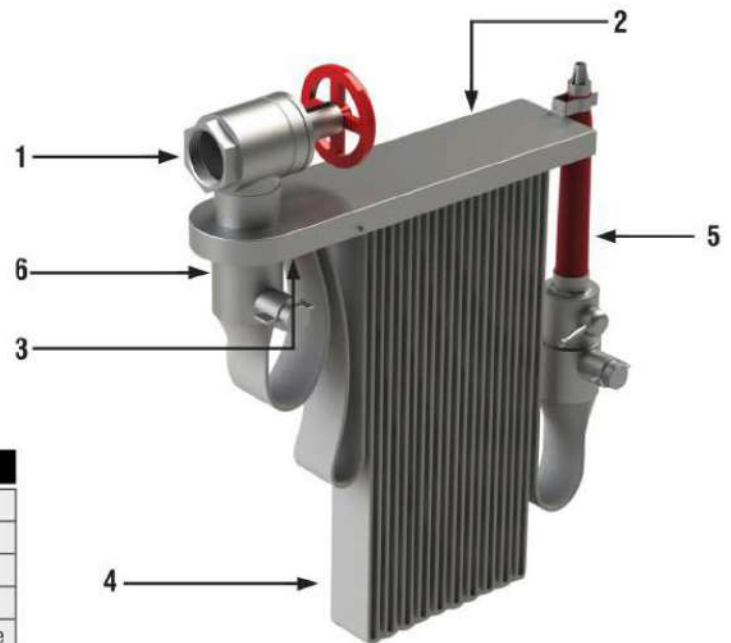
Mobile: +8801716592522, +8801825451599

Web: www.unique-ltd.com

Firex Fire Hose Rack

Fire Hose Rack

- ▶ Designed for interior use.
- ▶ Available in two sizes 65mm and 40mm to comply with NFPA14 requirements for classes I, II & III of stand pipe systems.
- ▶ Light weight construction and easy for installation and operation.
- ▶ Immediate and readily available means of controlling and suppressing fire by a single person.



SPECIFICATIONS

Item No.	Items	Remarks
1	Landing Valve	Available in 175psi and 300psi, Ø40mm, Ø65mm
2	Rack	Available in Red Color / Chrome Finish
3	Pins	Available in Red Color / Chrome Finish
4	Fire Hose	Available in Ø40mm, Ø65mm, 30 meter Length, Red/White
5	Nozzle	Available in Ø40mm / Ø65mm
6	Rack Nipple	Available in Red Color / Chrome Finish

VALVE

Connection to standpipe.
Controls water flow and pressure.

RACK

Provides storage for folded hose and nozzle.
The water retention device provides one-person operation.

HOSE

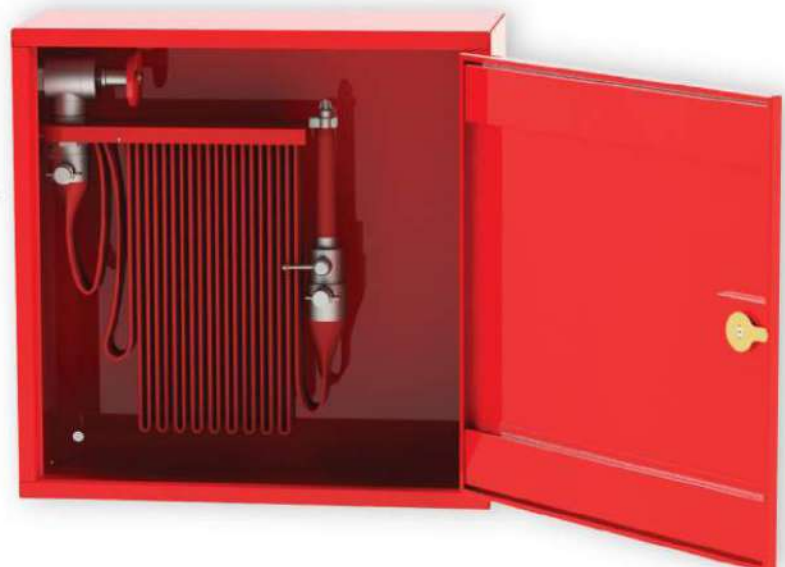
A lightweight, durable, compact, and readily deployed hose that is testable and easily folded for rack storage.

NOZZLE

Directs water flow to extinguish fire. The nozzle pattern control permits fog, straight stream or shut off positions.

RACK NIPPLE

Supports the hose rack and allows directional deployment of hose.





Distributor-



Unique Multi Engineering Ltd.

A Firm of Fire Detection, Protection, Ventilation & Cooling System Solution

Mail: info@unique-ltd.com, uniquebd0707@gmail.com

Mobile: +8801716592522, +8801825451599

Web: www.unique-ltd.com

Firex Standard Fire Hose Reel



Manual Fire Hose Reel
Model: FX/HR/M25



Automatic Fire Hose Reel
Model: FX/HR/A25

General Description

Reel Plates are made from 1.5 mm thickness steel sheet and pressed in such a way to give a maximum rigidity. The reel plate edge is rounded to prevent sharp edges.

Hose: made from natural rubber reinforced by double layer yarns, the outer and inner surface of the hose are smooth and seamless and can be withstand a pressure up to 30 bar. Bursting pressure is 60 bar and above. The hose is available in Red and Black color as required.

Swing Type and Fixed Type

Firex is one of the major manufacturers and suppliers of Swing and Fixed type hose reel which are specially designed for surface mounted where access is limited or in a recessed cabinet. The flexibility of Firex hose reel is high so that can be used without alternations for mounting with inlet to left or right of reel. The hose reel is fitted with specially designed glandless type drip proof seals which have been subjected to a hydrostatic test pressure of 30 bar.

Automatic Type Hose Reels

In this model of hose reel, it has an internal valve which is open when the hose reel is unwinded two turns allowing full flow of water.

TECHNICAL SPECIFICATIONS					PAINTING	
Size	Length	HOSE		Test Pressure	Bursting Pressure	Super-finished high corrosive resistance Epoxy powder coated paints.
		Colour	Working Pressure			
3/4" (19 mm)	30 mtr	Red/black	20	30	60	
	45 mtr					
1"Ø (25mm)	30 mtr	Red/black	20	30	60	
	45 mtr					



Firex LPCB Fire Hose Reel



Certificate No.: 863c

Manual Hose Reel
 LPCB Ref. No. 863c/02



Automatic Hose Reel
 LPCB Ref. No. 863c/01

Description	Automatic Hose Reel	Manual Hose Reel
Model	FX/HR/A25	FX/HR/M25
LPCB Ref. No.	863c/01	863c/02
Hose size	25mm x 30mm (Inner dia x Length)	25mm x 30mm (Inner dia x Length)
Type of Nozzles	1" Three way Chrome Nozzle 1" Jet Chrome Nozzle 1" Three way Plastic Nozzle 1" Jet Plastic Nozzle	1" Three way Chrome Nozzle 1" Jet Chrome Nozzle 1" Three way Plastic Nozzle 1" Jet Plastic Nozzle
Working Pressure	12 bar	12 bar
Test Pressure	18 bar	18 bar
Minimum Burst Pressure	30 bar	30 bar
Valve	Automatic Valve	Manual Valve



Distributor-



Unique Multi Engineering Ltd.

A Firm of Fire Detection, Protection, Ventilation & Cooling System Solution

Mail: info@unique-ltd.com, uniquebd0707@gmail.com

Mobile: +8801716592522, +8801825451599

Web: www.unique-ltd.com

BSI

BSI Fire Hose Reel



BS EN 671-1: 2012
KM No. 573983

Manual Hose Reel
KM No. 573983
Model: FX/HR/M25



Automatic Hose Reel
KM No. 573983
Model: FX/HR/A25

Description	Automatic Hose Reel	Manual Hose Reel
Model	FX/HR/A25	FX/HR/M25
KM. No.	573983	573983
Hose size	25mm x 30mm (Inner dia x Length)	25mm x 30mm (Inner dia x Length)
Type of Nozzles	1" Three way Chrome Nozzle	1" Three way Chrome Nozzle
	1" Jet Chrome Nozzle	1" Jet Chrome Nozzle
	1" Three way Plastic Nozzle	1" Three way Plastic Nozzle
	1" Jet Plastic Nozzle	1" Jet Plastic Nozzle
Working Pressure	12 bar	12 bar
Test Pressure	18 bar	18 bar
Minimum Burst Pressure	30 bar	30 bar
Valve	Automatic Valve	Manual Valve



Distributor-



Unique Multi Engineering Ltd.

A Firm of Fire Detection, Protection, Ventilation & Cooling System Solution

Mail: info@unique-ltd.com, uniquebd0707@gmail.com

Mobile: +8801716592522, +8801825451599

Web: www.unique-ltd.com

Firex Standard Nozzles and Branches

Discharge Nozzles

Hose reel nozzles are designed, tested and approved to meet International Standard.

Nylon and ABS Material complies to aging testing in accordance to ISO4892-2.2.

Throw range position at 6m 30 deg. inclination, in accordance to EN671-1 clause 10.4 Flowrate meets the equivalent nozzle diameter of 6mm in accordance to EN671-1.

DISCHARGE NOZZLE DESCRIPTION

Material	Discharge Type	Size
P V C	Jet, Spray & Shut off	1" Ø, 3/4"Ø
Brass	Jet, Spray & Shut off	1" Ø, 3/4"Ø
Nickle Chrome Plated Brass	Jet, Spray & Shut off	1" Ø, 3/4"Ø



3 - Way Jet/spray/shut-off Valve Nozzle

3-Way Jet/Spray Nozzle is available in different type of inlet. Its functions can be adjusted to any desired application such as jet, spray or shut off valve.

SPECIFICATION

Model	BR1	BR2	BR3
Size (Inlet)	1"Ø	2"Ø	2½"Ø
Material	Aluminium Alloy to BS 1490 & Hard Plastic		
Throw Range	14 m (Jet & Spray)		
Type of Inlet	Instantaneous, Threaded & Ferrule		

Model	BR1C		
Size (Inlet)	1"Ø		
Material	Brass, Chrome plated		
Throw Range	14 m (Jet & Spray/Shut off)		
Type of Inlet	Instantaneous		





Distributor-



Unique Multi Engineering Ltd.

A Firm of Fire Detection, Protection, Ventilation & Cooling System Solution

Mail: info@unique-ltd.com, uniquebd0707@gmail.com

Mobile: +8801716592522, +8801825451599

Web: www.unique-ltd.com



Firex BSI Nozzles & Couplings



BS 336:2010
KM No. 601639

MODEL : FX07-131A

Controllable Branch Pipe

Size	H(mm)	W(mm)	Inlet	Outlet
DN50	405	165	G 2"	9mm
CMM	440	165	Storz-C	9mm
DN65	440	165	BS336	12.5mm



MODEL : FX07-131B

Controllable Branch Pipe

Size	H(mm)	W(mm)	Inlet	Outlet
DN50	407	165	G 2"	9mm
CM	440	165	Storz-C	9mm
DN65	440	165	BS336	12.5mm



MODEL : FX07-131C

Controllable Branch Pipe

Size	H(mm)	W(mm)	Inlet	Outlet
DN50	390	165	G 2"	9mm
CMM	415	165	Storz-C	9mm
DN65	415	165	BS336	12.5mm



MODEL : FX08-201A
2 1/2" aluminum delivery
hose coupling with a 2 3/4"
ribbed tail

Size	H(mm)	W(mm)	D(mm)	Head	Tail
1-1/2"	195	182	26.6	BS336	38mm
1-3/4"	195	182	32.9	BS336	45mm
2"	195	182	38.5	BS336	51mm
2-1/2"	195	182	51.2	BS336	63.5mm
2-3/4"	195	182	56.8	BS336	75mm



MODEL : FX08-201B
2 1/2" Copper alloy delivery
hose coupling with a 2 3/4"
ribbed tail

Size	H(mm)	W(mm)	D(mm)	Head	Tail
1-1/2"	195	182	26.6	BS336	38mm
1-3/4"	195	182	32.9	BS336	45mm
2"	195	182	38.5	BS336	51mm
2-1/2"	195	182	51.2	BS336	63.5mm
2-3/4"	195	182	56.8	BS336	75mm



Distributor-



Unique Multi Engineering Ltd.

A Firm of Fire Detection, Protection, Ventilation & Cooling System Solution

Mail: info@unique-ltd.com, uniquebd0707@gmail.com

Mobile: +8801716592522, +8801825451599

Web: www.unique-ltd.com

Firex Standard Single Door Fire Cabinets

SINGLE DOOR CABINETS

In Variety of Sheets

Standard Dimension 800 (W) x 800 (H) x 300 (D) mm

Type	Thickness	Materials		Equipments inside the Cabinet	Finish
		Door	Back Box		
Recessed	1 mm to 1.2 mm	Mild Steel/GI	Mild Steel/GI	Fire Hose Reel or Fire Hose & Branch Pipe or Landing valve Hose Rack	Red Powder Coated
Surface Mounted		Mild Steel/GI/ Stainless Steel	Mild Steel/GI/ Stainless Steel		Red Powder Coated or Stainless Steel
Semi Recessed		Stainless Steel Brush/Mirror Finish	Mild Steel/GI		Red Powder Coated with Stainless Steel
Self Standing		Mild Steel/GI	Mild Steel/GI		Red Powder Coated

BREECHING INLET CABINETS

In Variety of Sheets

Standard Dimension 600 (W) x 400 (H) x 300 (D) mm (2 WAY)

Standard Dimension 600 (W) x 600 (H) x 300 (D) mm (4 WAY)

Type	Thickness	Material		Equipments inside the Cabinet	Finish
		Door	Back Box		
Recessed	1 mm to 1.2 mm	Mild Steel/GI with Glass	Mild Steel/GI	2 Way Breaching Inlet or 4 Way Breaching Inlet	Red Powder Coated
Surface Mounted		Mild Steel/GI with Glass	Mild Steel/GI		Red Powder Coated
Semi Recessed		Stainless Steel Brush /Mirror Finish with Glass	Mild Steel/GI		Red Powder Coated with Stainless Steel

- Thickness of cabinets can be changed upon clients request.





Distributor-



Unique Multi Engineering Ltd.

A Firm of Fire Detection, Protection, Ventilation & Cooling System Solution

Mail: info@unique-ltd.com, uniquebd0707@gmail.com

Mobile: +8801716592522, +8801825451599

Web: www.unique-ltd.com

Firex Standard Single Door Fire Cabinets

FIRE HOSE REEL CABINET

Technical Specification

Dimension	800 (W) x 800 (H) x 300 (D) mm
Material	Stainless Steel / Mild Steel / GI
Thickness	1 mm to 1.2 mm
Installation	Surface type, Recessed type, Semi Recessed type
Capacity	Manual or Automatic swing Hose Reel 3/4" or 1"
Paint Finish	Epoxy Red Powder Coated / Mirror or Brush Finish

FIRE EXTINGUISHER CABINET

Technical Specification

Dimension	600 (W) x 750 (H) x 250 (D) mm
Material	Mild Steel / Stainless Steel / GI
Thickness	1 mm to 1.2 mm
Installation	Surface type, Recessed type, Semi Recessed type
Capacity	1 No. Dry Powder & 1 No. CO2 Fire Extinguisher
Paint Finish	Epoxy Red Powder Coated / Mirror or Brush Finish

BREACHING INLET CABINET

Technical specification

Dimension	600 (W) x 600 (H) x 300 (D) mm for 4 WAY BI 600 (W) x 400 (H) x 300 (D) mm for 2 WAY BI
Material	Mild Steel / Stainless Steel / GI
Thickness	1 mm to 1.2 mm
Installation	Surface type, Recessed type, Semi Recessed type
Capacity	2 or 4 Way Breaching Inlet
Paint Finish	Epoxy Red Powder Coated / Mirror or Brush Finish

FIRE HOSE CABINET

Technical Specification

Dimension	800 (W) x 1000 (H) x 250 (D) mm for Double Hose 800 (W) x 800 (H) x 250 (D) mm for Single Hose
Material	Mild Steel / Stainless Steel / GI
Thickness	1 mm to 1.2 mm
Installation	Surface type, Recessed type, Semi Recessed type
Capacity	2 or 1 No. 2½" Ø Synthetic Fire Hose
Paint Finish	Epoxy Red Powder Coated / Mirror or Brush Finish

SELF-STANDING HYDRANT CABINET

Technical Specification

Dimension	800 (W) x 1000 (H) x 250 (D) mm cabinet with stand 800 (W) x 800 (H) x 250 (D) mm cabinet with stand
Material	Mild Steel / Stainless Steel / GI
Thickness	1 mm to 1.2 mm
Installation	Self-standing outdoor cabinet
Capacity	Fire Hose, Fire Hose Reel, Hydrants, Nozzle, Extinguishers
Paint Finish	Epoxy Red Powder Coated / Mirror or Brush Finish

- Thickness of cabinets can be changed upon clients request.





Firex LPCB Single Cabinets



SPECIFICATIONS		
ITEM NO.	DESCRIPTION	MATERIAL
1	ARCHITRAVE	1 MM TO 1.2 MM MS RED POWDER COATED
2	DOOR	1 MM TO 1.2 MM MS RED POWDER COATED
3	BACK BOX	1 MM TO 1.2 MM MS RED POWDER COATED
4	DOOR HANDLE	CHROME PLATED
5	HINGES	PUSH PIN HINGES
6	LOUVERS	WIDTH 80 MM
7	WATER PIPE INLET	50 MM DIAMETER
8	WIRED GLASS	GLASS 6 MM THICK
9	RUBBER BEADING	RUBBER



Certificate No.: 863



SPECIFICATIONS		
ITEM NO.	DESCRIPTION	MATERIAL
1	ARCHITRAVE	1 MM TO 1.2 MM SS BRUSH FINISH
2	DOOR	1 MM TO 1.2 MM SS BRUSH FINISH
3	BACK BOX	1 MM TO 1.2 MM SS BRUSH FINISH
4	DOOR HANDLE	CHROME PLATED
5	HINGES	PIANO HINGES
6	LOUVERS	WIDTH 80 MM
7	WATER PIPE INLET	50 MM DIAMETER



SPECIFICATIONS		
ITEM NO.	DESCRIPTION	MATERIAL
1	ARCHITRAVE	1 MM TO 1.2 MM MS RED POWDER COATED
2	DOOR	1 MM TO 1.2 MM MS RED POWDER COATED
3	BACK BOX	1 MM TO 1.2 MM MS RED POWDER COATED
4	DOOR HANDLE	CHROME PLATED
5	HINGES	PUSH PIN HINGES



SPECIFICATIONS		
ITEM NO.	DESCRIPTION	MATERIAL
1	ARCHITRAVE	1 MM TO 1.2 MM SS BRUSH FINISH
2	DOOR	1 MM TO 1.2 MM SS BRUSH FINISH
3	BACK BOX	1 MM TO 1.2 MM SS BRUSH FINISH
4	DOOR HANDLE	CHROME PLATED
5	HINGES	PIANO HINGES
6	WIRED GLASS	GLASS 6 MM THICK
7	RUBBER BEADING	RUBBER



SPECIFICATIONS		
ITEM NO.	DESCRIPTION	MATERIAL
1	ARCHITRAVE	1 MM TO 1.2 MM SS BRUSH FINISH
2	DOOR	1 MM TO 1.2 MM SS BRUSH FINISH
3	BACK BOX	1 MM TO 1.2 MM MS RED POWDER COATED
4	DOOR HANDLE	CHROME PLATED
5	HINGES	PIANO HINGES
6	WIRED GLASS	GLASS 6 MM THICK
7	RUBBER BEADING	RUBBER



Distributor-



Unique Multi Engineering Ltd.

A Firm of Fire Detection, Protection, Ventilation & Cooling System Solution

Mail: info@unique-ltd.com, uniquebd0707@gmail.com

Mobile: +8801716592522, +8801825451599

Web: www.unique-ltd.com



Firex BSI Single Cabinets



SPECIFICATIONS		
ITEM NO.	DESCRIPTION	MATERIAL
1	ARCHITRAVE	1 MM TO 1.2 MM MS RED POWDER COATED
2	DOOR	1 MM TO 1.2 MM MS RED POWDER COATED
3	BACK BOX	1 MM TO 1.2 MM MS RED POWDER COATED
4	DOOR HANDLE	CHROME PLATED
5	HINGES	PUSH PIN HINGES



BS EN 671-1: 2012
KM No. 573983



SPECIFICATIONS		
ITEM NO.	DESCRIPTION	MATERIAL
1	ARCHITRAVE	1 MM TO 1.2 MM SS BRUSH FINISH
2	DOOR	1 MM TO 1.2 MM SS BRUSH FINISH
3	BACK BOX	1 MM TO 1.2 MM SS BRUSH FINISH
4	DOOR HANDLE	CHROME PLATED
5	HINGES	PIANO HINGES
6	WIRED GLASS	GLASS 6 MM THICK
7	RUBBER BEADING	RUBBER



SPECIFICATIONS		
ITEM NO.	DESCRIPTION	MATERIAL
1	ARCHITRAVE	1 MM TO 1.2 MM SS BRUSH FINISH
2	DOOR	1 MM TO 1.2 MM SS BRUSH FINISH
3	BACK BOX	1 MM TO 1.2 MM MS RED POWDER COATED
4	DOOR HANDLE	CHROME PLATED
5	HINGES	PIANO HINGES
6	WIRED GLASS	GLASS 6 MM THICK
7	RUBBER BEADING	RUBBER



SPECIFICATIONS		
ITEM NO.	DESCRIPTION	MATERIAL
1	ARCHITRAVE	1 MM TO 1.2 MM MS RED POWDER COATED
2	DOOR	1 MM TO 1.2 MM MS RED POWDER COATED
3	BACK BOX	1 MM TO 1.2 MM MS RED POWDER COATED
4	DOOR HANDLE	CHROME PLATED
5	HINGES	PUSH PIN HINGES
6	LOUVERS	WIDTH 80MM
7	WATER PIPE INLET	50MM DIAMETER



Distributor-



Unique Multi Engineering Ltd.

A Firm of Fire Detection, Protection, Ventilation & Cooling System Solution

Mail: info@unique-ltd.com, uniquebd0707@gmail.com

Mobile: +8801716592522, +8801825451599

Web: www.unique-ltd.com

Firex Standard Double Door Fire Cabinets



STANDARD TECHNICAL SPECIFICATION

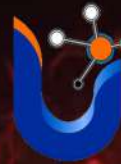
Dimension	800 (W) x 1600 (H) x 300 (D) mm
Material	Stainless Steel / Mild Steel / GI
Thickness	1 mm to 1.2 mm
Installation	Surface type, Recessed type, Semi Recessed type
Capacity	Manual or Automatic swing, Fixed Hose Reel 3/4" or 1" & Landing Valve
Paint Finish	Epoxy Red Powder Coated, Mirror Finish, Brush Finish
Hinges	Push Pin, Piano Hinges Stainless Steel
Door Handle	Chrome plated

- Thickness of cabinets can be changed upon clients request.





Distributor-



Unique Multi Engineering Ltd.

A Firm of Fire Detection, Protection, Ventilation & Cooling System Solution

Mail: info@unique-ltd.com, uniquebd0707@gmail.com

Mobile: +8801716592522, +8801825451599

Web: www.unique-ltd.com

LPCB

Firex LPCB Double Cabinets



SPECIFICATIONS		
ITEM NO.	DESCRIPTION	MATERIAL
1	ARCHITRAVE	1 MM TO 1.2 MM SS MIRROR FINISH
2	DOOR	1 MM TO 1.2 MM SS MIRROR FINISH
3	BACK BOX	1 MM TO 1.2 MM SS MIRROR FINISH
4	DOOR HANDLE	CHROME PLATED
5	HINGES	PIANO HINGES
6	LOUVERS	WIDTH 80 MM
7	WATER PIPE INLET	50 MM DIAMETER
8	GLASS	WIRED GLASS
9	RUBBER BEADING	RUBBER



Certificate No.: 863

SPECIFICATIONS		
ITEM NO.	DESCRIPTION	MATERIAL
1	ARCHITRAVE	1 MM TO 1.2 MM MS RED POWDER COATED
2	DOOR	1 MM TO 1.2MM MS RED POWDER COATED
3	BACK BOX	1 MM TO 1.2MM MS RED POWDER COATED
4	DOOR HANDLE	CHROME PLATED
5	HINGES	PUSH PIN HINGES
6	LOUVERS	WIDTH 80 MM
7	WATER PIPE INLET	50 MM DIAMETER



SPECIFICATIONS		
ITEM NO.	DESCRIPTION	MATERIAL
1	ARCHITRAVE	1 MM TO 1.2 MM MS RED POWDER COATED
2	DOOR	1 MM TO 1.2 MM MS RED POWDER COATED
3	BACK BOX	1 MM TO 1.2 MM MS RED POWDER COATED
4	DOOR HANDLE	CHROME PLATED
5	HINGES	PUSH PIN HINGES
6	LOUVERS	WIDTH 80 MM
7	GLASS	WIRED GLASS
8	RUBBER BEADING	RUBBER



SPECIFICATIONS		
ITEM NO.	DESCRIPTION	MATERIAL
1	ARCHITRAVE	1 MM TO 1.2MM SS MIRROR FINISH
2	DOOR	1 MM TO 1.2MM SS MIRROR FINISH
3	BACK BOX	1 MM TO 1.2MM MS RED POWDER COATED
4	DOOR HANDLE	CHROME PLATED
5	HINGES	PIANO HINGES

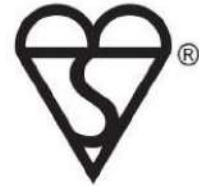




Firex BSI Double Cabinets



SPECIFICATIONS		
ITEM NO.	DESCRIPTION	MATERIAL
1	ARCHITRAVE	1 MM TO 1.2 MM MS RED POWDER COATED
2	DOOR	1 MM TO 1.2 MM MS RED POWDER COATED
3	BACK BOX	1 MM TO 1.2 MM MS RED POWDER COATED
4	DOOR HANDLE	CHROME PLATED
5	HINGES	PUSH PIN HINGES
6	GLASS	WIRED GLASS
7	RUBBER BEADING	RUBBER



BS EN 671-1: 2012
KM No. 573983

SPECIFICATIONS		
ITEM NO.	DESCRIPTION	MATERIAL
1	ARCHITRAVE	1 MM TO 1.2 MM SS MIRROR FINISH
2	DOOR	1 MM TO 1.2 MM SS MIRROR FINISH
3	BACK BOX	1 MM TO 1.2 MM SS MIRROR FINISH
4	DOOR HANDLE	CHROME PLATED
5	HINGES	PIANO HINGES
6	GLASS	WIRED GLASS
7	RUBBER BEADING	RUBBER



SPECIFICATIONS		
ITEM NO.	DESCRIPTION	MATERIAL
1	ARCHITRAVE	1 MM TO 1.2 MM MS RED POWDER COATED
2	DOOR	1 MM TO 1.2 MM MS RED POWDER COATED
3	BACK BOX	1 MM TO 1.2 MM MS RED POWDER COATED
4	DOOR HANDLE	CHROME PLATED
5	HINGES	PUSH PIN HINGES
6	LOUVERS	WIDTH 80 MM
7	WATER PIPE INLET	50 MM DIAMETER

SPECIFICATIONS		
ITEM NO.	DESCRIPTION	MATERIAL
1	ARCHITRAVE	1 MM TO 1.2 MM SS MIRROR FINISH
2	DOOR	1 MM TO 1.2 MM SS MIRROR FINISH
3	BACK BOX	1 MM TO 1.2 MM MS RED POWDER COATED
4	DOOR HANDLE	CHROME PLATED
5	HINGES	PIANO HINGES





Distributor-



Unique Multi Engineering Ltd.

A Firm of Fire Detection, Protection, Ventilation & Cooling System Solution

Mail: info@unique-ltd.com, uniquebd0707@gmail.com

Mobile: +8801716592522, +8801825451599

Web: www.unique-ltd.com

Firex Fire Hose Cabinets

Self Standing Cabinet with Accessories

SPECIFICATIONS	
ITEM NO.	DESCRIPTION
1	ARCHITRAVE - 1 mm to 1.2 mm SS BRUSH FINISH
2	DOOR - 1 mm to 1.2 mm SS BRUSH FINISH
3	BACK BOX - 1 mm to 1.2 mm SS BRUSH FINISH
4	DOOR HANDLE - CHROME PLATED
5	PIANO HINGES
6	SIDE VENTILATION LOUVERS
7	STAND
8	FIRE HOSE CRADLE
9	FIRE HOSE - 65 mmØ X 30 METER UL LISTED (3 NOS)
10	65 mm Ø BRANCH PIPE / JET SPRAY NOZZLE
11	HYDRANT KEY
14	CROWBAR
15	FIRE AXE
16	POCKET FOR ACCESSORIES



Fire Hose Cabinet (Class III Stand Pipe System)

SPECIFICATIONS	
ITEM NO.	DESCRIPTION
1	ARCHITRAVE - 1 mm to 1.2mm MS RED POWDER COATED
2	DOOR - 1 mm to 1.2mm MS RED POWDER COATED
3	BACK BOX - 1 mm to 1.2mm MS RED POWDER COATED
4	DOOR HANDLE - CHROME PLATED
5	PUSH PIN HINGES
6	SIDE VENTILATION LOUVERS
7	FIRE HOSE STAND
8	Ø25mm GATE VALAVE
9	Ø25mm X 30 METERS HOSE REEL
10	25mm PRV
11	Ø25mm NOZZLE
12	65mm LANDING VALVE
13	65mm FIRE HOSE X 30 METERS
14	65mm NOZZLE





Distributor-



Unique Multi Engineering Ltd.

A Firm of Fire Detection, Protection, Ventilation & Cooling System Solution

Mail: info@unique-ltd.com, uniquebd0707@gmail.com

Mobile: +8801716592522, +8801825451599

Web: www.unique-ltd.com

Firex Foam Cabinets

Firex Foam Cabinet

FIREX Foam cabinet Model/9000 is characterized for its high performance for attacking class A, B fires within seconds. Its designed for single man operation. Highly efficient in gas stations, petro-chemicals plants, industrial premises, warehouse and in any areas, requires protection from A and B fires.



Cabinet Design

Cabinet and door leaves are made of electro-galvanized steel of thickness 1mm to 2mm, which depends upon the use and client's requirements.

Cabinets are with all around folded edges without any sharp and burrs. The roof is sloped type.

Cabinet painting is done by electrostatic powder coating process, oven baked to temperature between 160°C-200°C. Stainless steel model also available upon request.

Cabinet Components

Superior quality, 100% synthetic jacket hose, the outer fabric is made of circular woven synthetic fiber and root proof yarn, while inner layer is a substance of tropical rubber applied by means of a special vulcanizing technique ensures long life, elasticity and flexibility. Hose size 1.5x30meter length, wrapped on swinging hose reel.

Hose reel is made of 1.2mm electro-galvanized steel sheet

and pressed out. The outer edge of the reel is rolled over to give a safe handling edge on the outer rims. The reel is mounted on swinging arm.

2" Brass, control gate valve, 2" Foam proportioner. Foam branch pipe with shut off control valve made of stainless steel, handle made of hard rubber, can throw foam between 15-20 meter depends on line pressure. Also can be used as water jet pump.

2 nos. Canisters, each with 20 liter 3% AFFF Foam concentrate. Different types of foam concentrates are available upon request.

Model	Height	Width	Depth
FX/9000	1120mm Slopper Roof	700mm	300mm



Distributor-



Unique Multi Engineering Ltd.

A Firm of Fire Detection, Protection, Ventilation & Cooling System Solution

Mail: info@unique-ltd.com, uniquebd0707@gmail.com

Mobile: +8801716592522, +8801825451599

Web: www.unique-ltd.com

EXOVA

Firex Exova Fire Rated Steel Doors



CERTIFICATE OF APPROVAL
No. ME 5007



Fire Rated Steel Doors

Steel Fire Doors are generally constructed as standard Fire Doors sets but have special internal reinforcement. The Fire doors range has been fully tested and approved by leading authorities throughout the United Arab Emirates.

Firex fire resisting door sets are available to suit numerous applications from single action single door sets, through to double action door sets to a maximum fire resistant period of 30 minutes to 180 minutes.

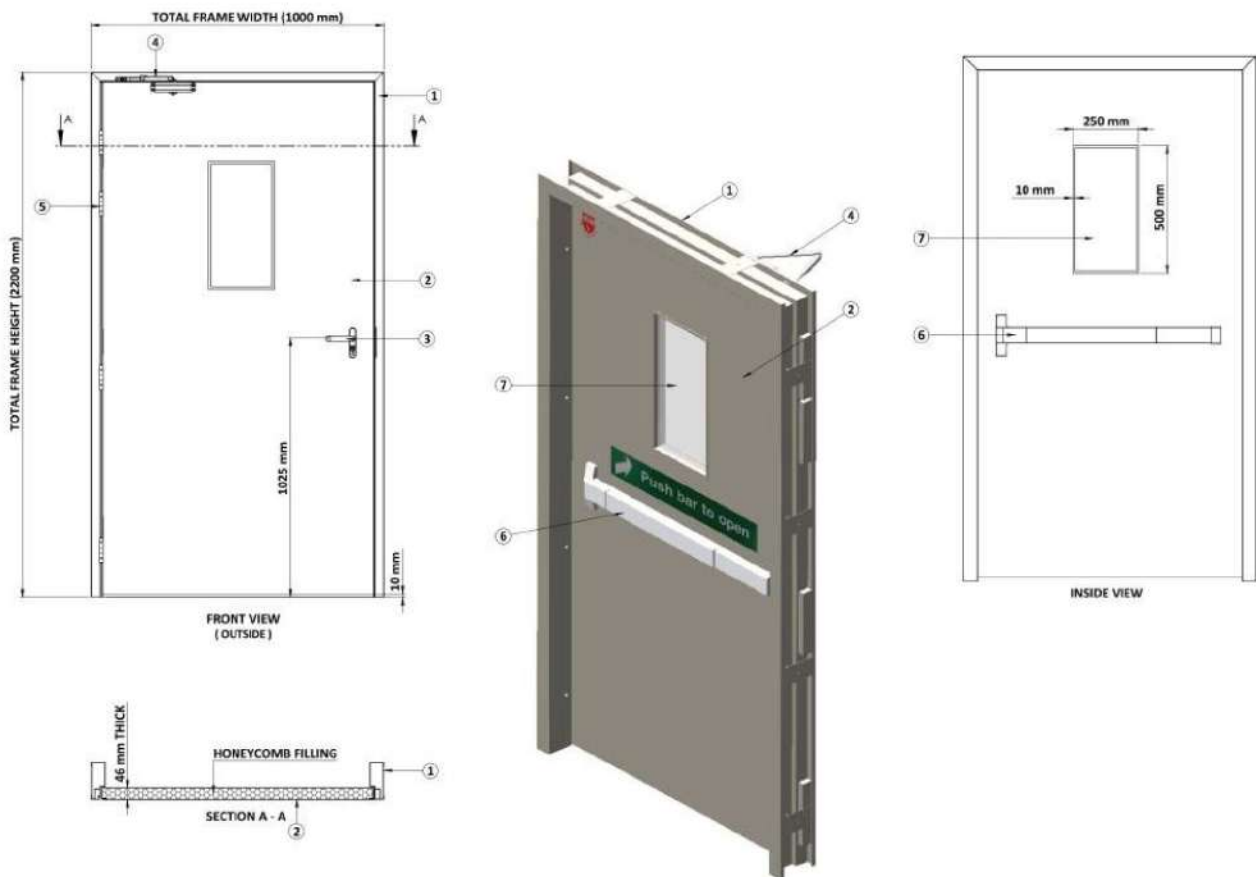
Firex offers the complete design, manufacture, supply and installation of high quality on architectural doors sets all over the Arab Regions for Fire Doors in exterior and interior doors such as: Hollow metal doors, Steel Doors to wooden doors and frames and coiling roll-up doors.

These have the most extraordinary fire resistance making an ideal material for preventive fire protection. Conglomerating with state-of-the-art technology, Firex Fire Door systems provide an explicit features for extra safety. The tested and approved fire protection systems can be adapted to the most varied requirements, whether the priority is on flexible sizes or its exquisite designs.

Firex provides the most comprehensive range of certified fire resistant (rated), steel, stainless steel doors and screens as well as wooden doors. Manufacturing from a precise specifications on steel sections which are available to satisfy all United Arab Emirates fire regulations towards stability and integrity.

Firex Exova Fire Rated Steel Doors

Standard Single Door with Push Bar



ITEM NO.	DESCRIPTION
1	DOOR FRAME
2	FIRE RATED DOOR
3	LEVER HANDLE
4	DOOR CLOSER
5	HINGES
6	PUSH BAR
7	VISION PANEL



Distributor-

Unique Multi Engineering Ltd.

A Firm of Fire Detection, Protection, Ventilation & Cooling System Solution

Mail: info@unique-ltd.com, uniquebd0707@gmail.com

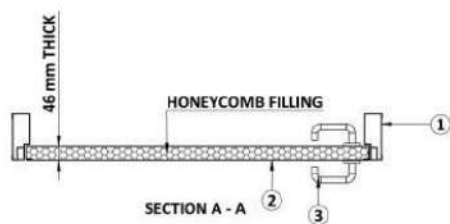
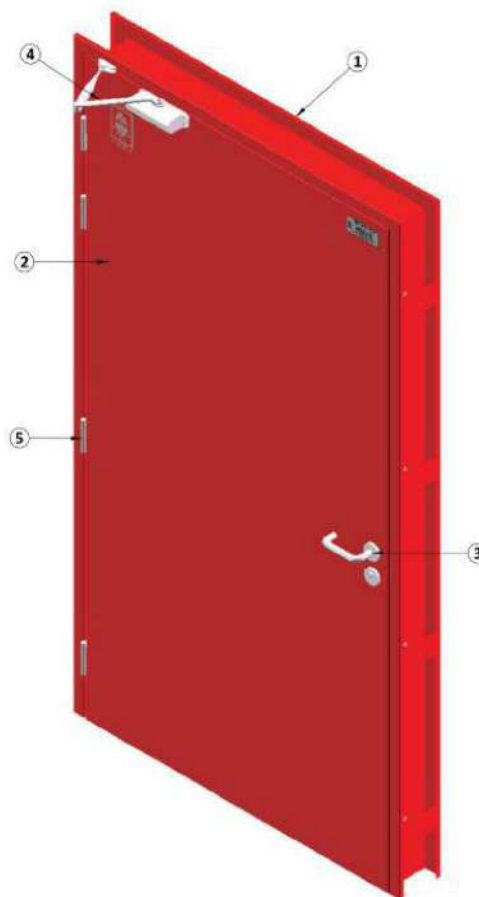
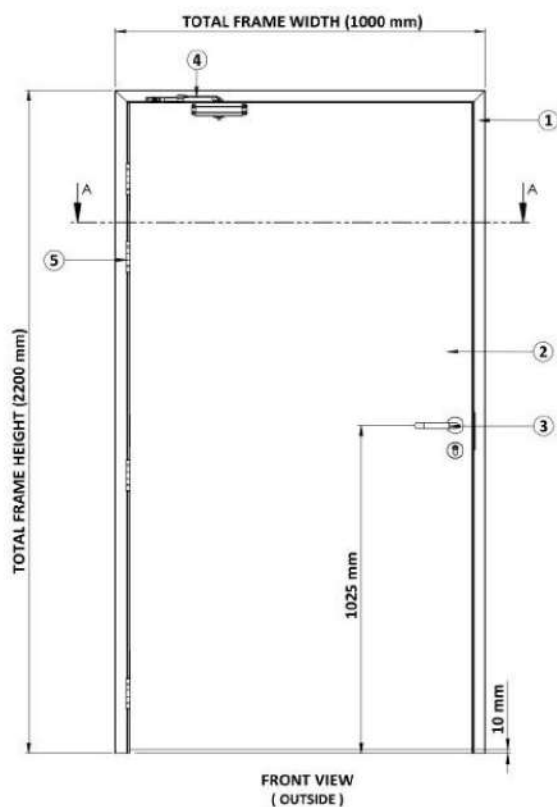
Mobile: +8801716592522, +8801825451599

Web: www.unique-ltd.com

EXOVA

Firex Exova Fire Rated Steel Doors

Standard Single Door with Mortise Lock



ITEM NO.	DESCRIPTION
1	DOOR FRAME
2	FIRE RATED DOOR
3	LEVER HANDLE
4	DOOR CLOSER
5	HINGES



Distributor-



Unique Multi Engineering Ltd.

A Firm of Fire Detection, Protection, Ventilation & Cooling System Solution

Mail: info@unique-ltd.com, uniquebd0707@gmail.com

Mobile: +8801716592522, +8801825451599

Web: www.unique-ltd.com

Other Types of Firex Fire Rated Doors



Wooden Finish Fire Rated Doors

The frame of wood fire door is made of the quality wood treated by incombustible method. With filling the flame resistant material inside, the door keeps fire proof integrity. The form is varied and the material could be selected by customers. The materials of this wood fire door makes an excellent fire resistant substrate for wood veneered door frames. These frames have achieved neutral and positive pressure certification for 45-60, and up to 90 minutes rating. Veneered with the same species as the door faces, they make for beautiful openings when aesthetics are of primary concern.



Fully Glazed Fire Rated Doors

Available in a variety of profiles and ratings, our glazed fire doors comes with steel systems or timber systems that utilize the PYRAN® S fire rated glazing with our proprietary framing system.

The product combines inspirational design flair with performance rated protection to match demanding architectural specifications. The glazed fire rated door can be manufactured to suit different fire ratings and dimensions. With maximum glazed elements and sleek, minimal profiles in timber, stainless steel or GI steel powder coated colored finish, our fire door system also delivers on aesthetic appeal.



Fire Rated Access Doors

Fire-Rated Access Doors are engineered to contain fire from spreading through the access door and maintain the fire-rating of the surrounding wall/ceiling. Available with insulation options to guard against temperature rise in the event of a fire.



Sand Trap Louver Doors and Windows

The sand trap louver door is used as pre-filter for the protection of air conditioning plants, Electrical Substation and generator rooms in areas exposed to extreme levels of industrial pollution. It has a degree of separation of sand and large dust particles, even in cases of high dust concentrations. The vertically arranged sections and holes for sand drainage ensure the sand trap louver is self cleaning and maintenance-free. The sand trap louver is designed to separate large particles at low air velocities, thus avoiding excessive dustloading on conventional plant filters. It is not intended as a substitute for conventional supply air filtration plant.



Distributor-

Unique Multi Engineering Ltd.

A Firm of Fire Detection, Protection, Ventilation & Cooling System Solution

Mail: info@unique-ltd.com, uniquebd0707@gmail.com

Mobile: +8801716592522, +8801825451599

Web: www.unique-ltd.com

Firex Standard Fire Hydrants

Wet Pillar Fire Hydrant

MATERIAL DESCRIPTION		
1	Type	Wet Barrel Type 2- Way Fire Hydrant
2	Size	4" / 6"
3	Body Material	Cast Iron / Mild Steel Seamless pipe
4	Landing Valve Material	Copper Alloy
5	Landing Valve Size	2½"
6	Working Pressure	10 bar
7	Test Pressure	20 bar
8	Finish	Red Epoxy Painted
9	Inlet	4" / 6", ANSI B 16.5 - Flange
10	Outlet	2 Nos. 2½" Landing Valve Oblique Type with Female Instantaneous Connection

MODEL NO.	OUTLET	INLET
FXWPH100 (4")	2x2½" Male Thread	4" Table E BS 10 Flange
FXWPH150B (6")	2x2½" Control Valve with Female BS Instantaneous Outlet	6" Table E BS 10 Flange



Dry Pillar Fire Hydrant

Dry barrel design eliminates damage to the hydrant caused by freezing or corrosion of the upper part.

Breakway design to prevent accidents to the hydrants, where only the upper part of the flange will be broken upon impact.

Externally sandblasted for smooth finish, painted red with electrostatic powder coating on the section above ground and double coated with black bituminous paint on the section below the ground.

Barrel length extension kit in different length is available on request.

DESCRIPTION	SPECIFICATION	
Model	150FXAPHD-800	
Inlet	150mm Flanged	
Outlet	2x2½" Straight through Landing Valve with cap & chain 1x4" Pumper Nozzle with cap & chain	
Hydraulic Pressure details	Working Pressure	16 bar
	Seat Test Pressure	20 bar
	Body Test Pressure	32 bar
Standard	Exceeds AWWA C502 & NFPA Standard	
Approval	Directorate General of Civil Defence (DGCD)	
Paint Specifications	Externally sandblasted for Smooth finish, painted red with electrostatic powder coating on the section above ground and double coated with black bituminous paint on the section below the ground.	
Hydrant Barrel & duck foot bend	Ductile iron	





Firex LPCB Fire Hydrants

Dry Type Pillar Fire Hydrants

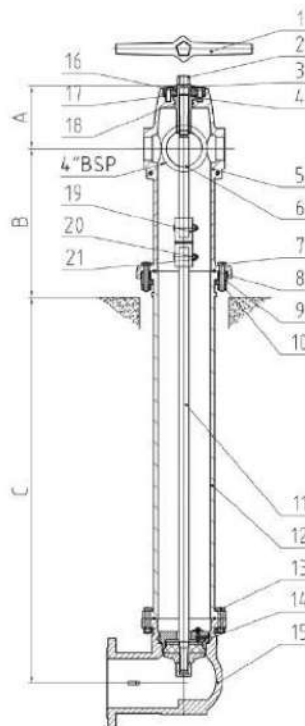
Dry barrel design eliminates damage to the hydrant caused by freezing or corrosion of the upper part.

- Break away design to prevent accidents to the hydrants, where only the upper part of the flange would be broken upon impact.
- Simple rugged construction and easy to maintain.
- Automatic drain system drains the water in the upper part when the main valve is closed thus avoiding damage caused by freezing.
- Externally sand blasted for smooth finish, painted red with electrostatic powder coating on the section above the ground and double coating of black bituminous paint on the section below ground, all paint thickness $\geq 300\mu\text{m}$.
- Optional: Barrel length extension kit in different lengths is available on request.
- Hydrants for non potable water systems.



Certificate No.:1280Aa

NO.	ITEM
1	Operating Handle
2	Operating Nut
3	Cover
4	Cover Bolt
5	Upper Barrel
6	Upper Stem
7	Claw Bolts
8	O-Ring
9	Claw
10	Nut
11	Lower Stem Assembly
14	Lower Barrel
15	Bottom Bolts
16	Automatic Drain Assembly
17	90° Bend
18	O-Ring
19	Cover Sheet
20	O-Ring
21	Stem Coupling
22	Stem Coupling Bolt
23	Stem Coupling Nut



Model	FX16-082S-00	FX16-083S-00
Standard	BS EN 14384	
Working pressure	16 bar	
Inlet	DN100 with flange (4")	DN150 with flange (6")
Outlet	Two 2.5" BSP and one 4" BSP add coupling or valves	
Dimensions(mm)	A	207
	B	395
	C	1200
Shell material	Ductile Iron	
MOT	$\leq 125\text{NM}$	$\leq 125\text{NM}$
MST	$\geq 250\text{NM}$	$\geq 250\text{NM}$
Kv Value	104.87(2.5" outlet)	184.29(4" outlet)
Closing direction	Clockwise	Clockwise
Opening turns	16	15
Time for Draining	$\leq 10\text{min}$	$\leq 10\text{min}$
Retained Water	$\leq 150\text{ml}$	$\leq 200\text{ml}$



Distributor-



Unique Multi Engineering Ltd.

A Firm of Fire Detection, Protection, Ventilation & Cooling System Solution

Mail: info@unique-ltd.com, uniquebd0707@gmail.com

Mobile: +8801716592522, +8801825451599

Web: www.unique-ltd.com

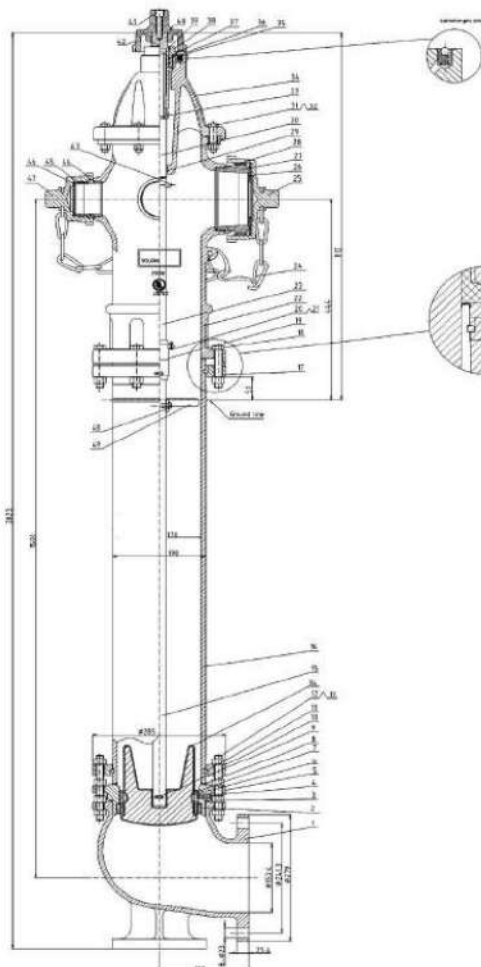
UL/FM Listed Fire Hydrants



Fire Hydrant

NOTES:

- The diameter of a waterway through a connection and a valve shall be a nominal size or a specified size ± 0.01 inch (0.3mm).
- General Tolerance as JB2854-80 IT8
- The rate pressure is 250PSI
- The nominal size of connection is accord with NFPA 1963
- All the dimensions are given in mm
- Surface painting:
Thickness : Greater than $250\mu\text{m}$, Less than $500\mu\text{m}$
Color: RAL 3020
- Rubber : ASTM D2000 (EPDM) DuPont 4570



When collision the flange breaks
other parts not to have the damage

SPECIFICATIONS

ITEM NO.	Items	ITEM NO.	Items
1	Hydrant Body	26	Big Sealed Gasket
2	Seal - ring	27	Big Outlet
3	O-ring	28	O-ring
4	Screwed Plug	29	O-ring
5	Main Valve Flange	30	Stem
6	O-ring	31	Hex nuts
7	Valve Seat	32	Screw
8	Barrel Gasket	33	Stop nut
9	Pin Axes	34	Hydrant bonnet
10	Lower Flange	35	Oil cup
11	Lock Ring	36	O-ring
12	Hex nuts	37	O-ring
13	Stud bolts	38	Bush
14	Wedge	39	Dust proof ring
15	Lower Stem	40	Stem nut
16	Barrel	41	Socket head bolt
17	Breakable Flange	42	Operating cap
18	Bolts	43	Pin axes
19	Coupling	44	O-ring
20	Pin Axes	45	Small outlet
21	Pin	46	Small sealed gasket
22	Drain Pipe	47	Small nozzle cap
23	Up Stem	48	Blot
24	Link	49	Yoke
25	Big Nozzle Cap		



Distributor-



Unique Multi Engineering Ltd.

A Firm of Fire Detection, Protection, Ventilation & Cooling System Solution

Mail: info@unique-ltd.com, uniquebd0707@gmail.com

Mobile: +8801716592522, +8801825451599

Web: www.unique-ltd.com

Firex Standard Fire Fighting Valves



4-WAY BREECHING INLET



LANDING VALVE FLANGED TYPE



BUTTERFLY VALVE



AIR RELEASE VALVE



PRESSURE REDUCING VALVE



2-WAY BREECHING INLET



LOCK SHIELD VALVE



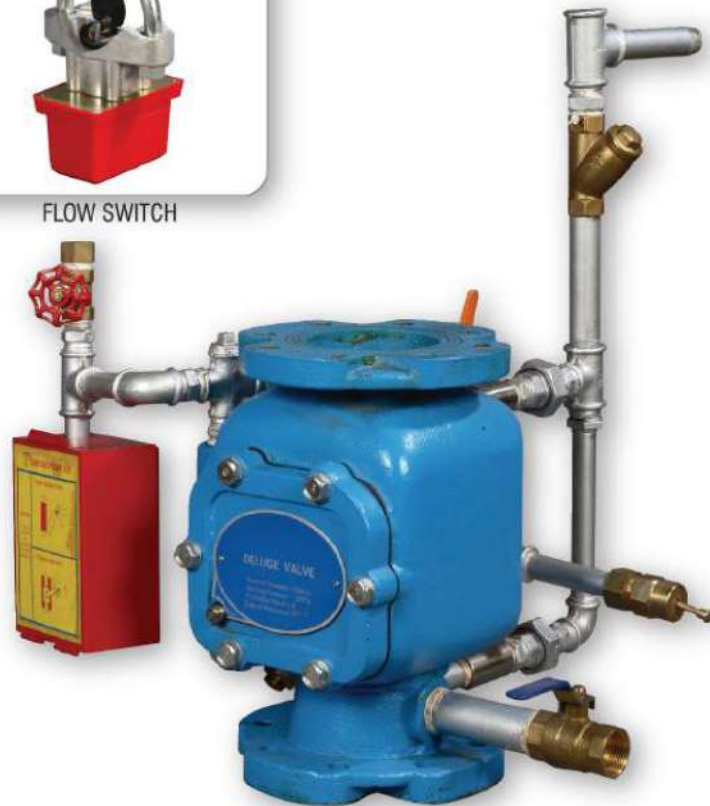
FLOW SWITCH



OBLIQUE TYPE LANDING VALVE THREADED



LANDING VALVE WITH PRV



WET ALARM VALVE



Distributor-



Unique Multi Engineering Ltd.

A Firm of Fire Detection, Protection, Ventilation & Cooling System Solution

Mail: info@unique-ltd.com, uniquebd0707@gmail.com

Mobile: +8801716592522, +8801825451599

Web: www.unique-ltd.com

LPCB

Firex LPCB Fire Fighting Valves

Breeching Inlet



Certificate No.: 863d



2 WAY BREECHING INLET
MODEL: APDR2-100-BI
LPCB Ref. No.: 863d/01



4 WAY BREECHING INLET
MODEL: APDR4-150-BI
LPCB Ref. No.: 863d/02

Specification

Body	: Spheroidal Graphite Iron to BS 2789
Inlet	: BS Instantaneous Male Copper Alloy to BS 1400
Outlet	: 2 way Breeching Outlet Flanged 4"
	: 4 way Breeching Outlet Flanged 6"
Connectors	: The inlet connectors for attaching the hose with male instantaneous connector complying with BS 336
Test Pressure	: Hydrostatic pressure > 20 bar to BS 5041-3 clause 11
Blank cap and chain	: Provided with female cap to BS 5041-3 clause 9
	: Incorporated 1" male thread valve to BS 5041-3 clause 8

Model No.	Description
APDR2-100-BI	2Way breeching Inlet
APDR4-150-BI	4Way breeching Inlet

Landing Valve



Certificate No.: 863e



2 1/2" THREADED OBLIQUE LANDING VALVE
MODEL: APDR-65-ST
LPCB Ref. No.: 863e/01



2 1/2" FLANGED OBLIQUE LANDING VALVE
MODEL: APDR-65-FT
LPCB Ref. No.: 863e/02

Specification

Body	: Copper Alloy to BS 1400
Handwheel	: Gray Cast Iron to BS 1452
Inlet	: Flanged Inlet
	: Screwed inlet
Outlet	: Female instantaneous pattern to BS 336
Body Test	: Hydrostatic Pressure 22.5 bar to BS to 5041-1 clause 19.1
Seat Test	: Hydraulic Pressure 16.5 Bar to BS 5041-1 clause 19.2
Stem	: Rising stem inside screw type
Blank cap and chain	: Blank cap provided with pressure relief hole with flow area > 10mm ² complying to BS 336

Model No.	Description
APDR-65-ST	PN 16 Thread 2 1/2", Landing Valve
APDR-65-FT	PN 16 Flange 65mm, Landing Valve



Distributor-



Unique Multi Engineering Ltd.

A Firm of Fire Detection, Protection, Ventilation & Cooling System Solution

Mail: info@unique-ltd.com, uniquebd0707@gmail.com

Mobile: +8801716592522, +8801825451599

Web: www.unique-ltd.com

UL Listed Fire Fighting Valves



PPD 100(150)-UL

Deluge Valve

Safex deluge valves are designed to minimize the friction loss inside and inner parts such as clapper are made of cast bronze to offer and inner parts such as clapper are made of cast bronze to offer excellent corrosion and pressure resistance.

Specification

Model No	PPD 100	PPD 150
Size	100A	150A
Max. Flow	175 PSI	175 PSI
Test Pressure	350 PSI	350 PSI
Pressure Loss	0.02MPa	0.02MPa
Direction	Vertical	Vertical
Flange Size	ANSI 150lb FF Type	ANSI 150lb FF Type
Weight (Kg)	59	79
Packing (Ea)	1	1



Dimension

Model No. Size	A	B	C	D	E
PPD 100	242	260	367	270	150
PPD 150	259	285	372	290	150

PROTECTOR SPRINKLER

An ISO 9001 certified company



Deluge Valve

Model P

UL and CUL Listed Deluge Valve 2" & 2½" & 3" size designed for Horizontal Easy Trimming & Installation Small Size

Product Description

The Protector Model P Deluge valve is a quick opening hydraulically operated valve. The valve may be actuated manually (at the valve location or remotely), hydraulically through the use of a wet pilot sprinkler or electrically using electric type detector and / or electric control stations to actuate solenoid valve.



PROTECTOR SPRINKLER

An ISO 9001 certified company



Alarm Check Valve

Model P

UL and CUL model P check valves 4" / 6" are designed for use in wet pipe systems and may be installed in the vertical or horizontal position with the appropriate trim package.

Product Description

The model P4" and 6" alarm check valves are installed between the water supply and the riser for sprinkler systems and open in the event of an activation of the sprinkler systems in a fire situation or during periodic testing of the system.





Distributor-



Unique Multi Engineering Ltd.

A Firm of Fire Detection, Protection, Ventilation & Cooling System Solution

Mail: info@unique-ltd.com, uniquebd0707@gmail.com

Mobile: +8801716592522, +8801825451599

Web: www.unique-ltd.com

UL Listed Sprinklers



Standard Response and Quick Response Sprinklers

Standard response spray sprinklers are intended to use in the sprinkler systems designed in accordance with the standard installation rules recognized by the applicable Listing or Approval agency. They are available in pendent, upright and horizontal sidewall styles.

Quick response spray sprinklers are designed with a 3mm glass-bulb to react quicker at the specified temperature. They are available in pendent, upright and horizontal sidewall styles.

During fire conditions, the thermal sensitive liquid in the glass -bulb expands , causing the bulb to shatter, releasing the button and spring seal assembly. Water flowing through the sprinkler orifice strikes the sprinkler deflector, forming a uniform spray pattern to extinguish or control the fire. Standard and Quick responders are designed to use in a wide range of applications including office buildings, libraries, hotels, restaurants, banks, band shells, theaters, factories and storehouses.

NX



Upright-68°
Standard Response, Chrome



Upright-79°
Standard Response, Chrome



Upright-68°
Quick Response, Chrome



Pendent-68°
Standard Response, Chrome



Horizontal Side Wall-68°
Quick Response, Chrome



Pendent-68°
Quick Response, Chrome



Side Wall-79°
Standard Response, Chrome



Pendent-79°
Standard Response, Chrome



Concealed-57° , White

Catalogue can be provided upon request



Distributor-



Unique Multi Engineering Ltd.

A Firm of Fire Detection, Protection, Ventilation & Cooling System Solution

Mail: info@unique-ltd.com, uniquebd0707@gmail.com

Mobile: +8801716592522, +8801825451599

Web: www.unique-ltd.com

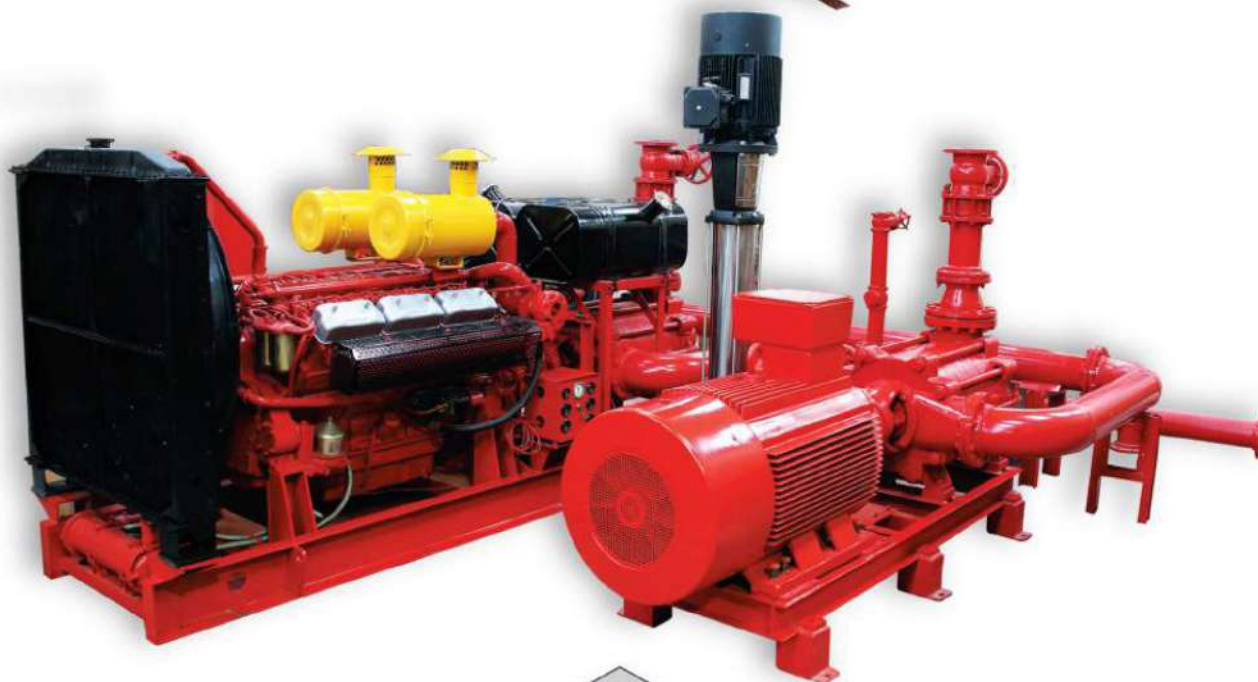
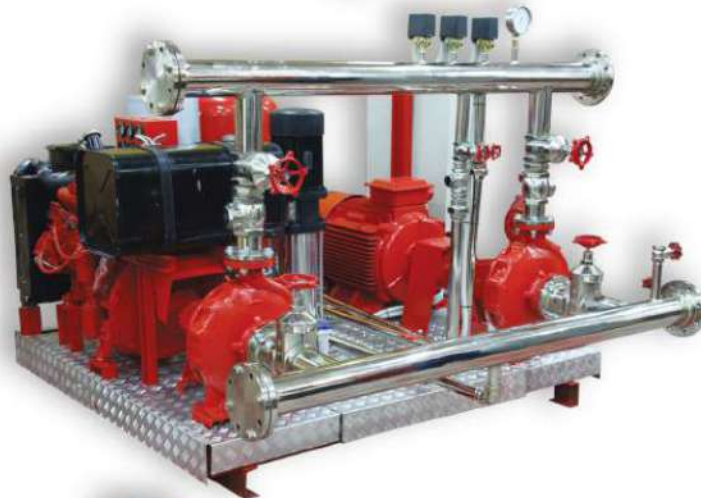
Firex Standard Fire Pumps

Standard Fire Pumps

General Description

Fire pumps are a range of high quality industrial pumps manufactured by qualified personnel in modern facilities. Fire pumps are designed in accordance with relevant fire protection codes.

Specialized in the design, manufacture and testing of all types of fire pump set. A wide range of pumps from electric motor driven and diesel engine driven units, including Centrifugal, End Suction, Horizontal Splitcase, Horizontal Multistage, Vertical Turbine pumps.





Distributor-



Unique Multi Engineering Ltd.

A Firm of Fire Detection, Protection, Ventilation & Cooling System Solution

Mail: info@unique-ltd.com, uniquebd0707@gmail.com

Mobile: +8801716592522, +8801825451599

Web: www.unique-ltd.com

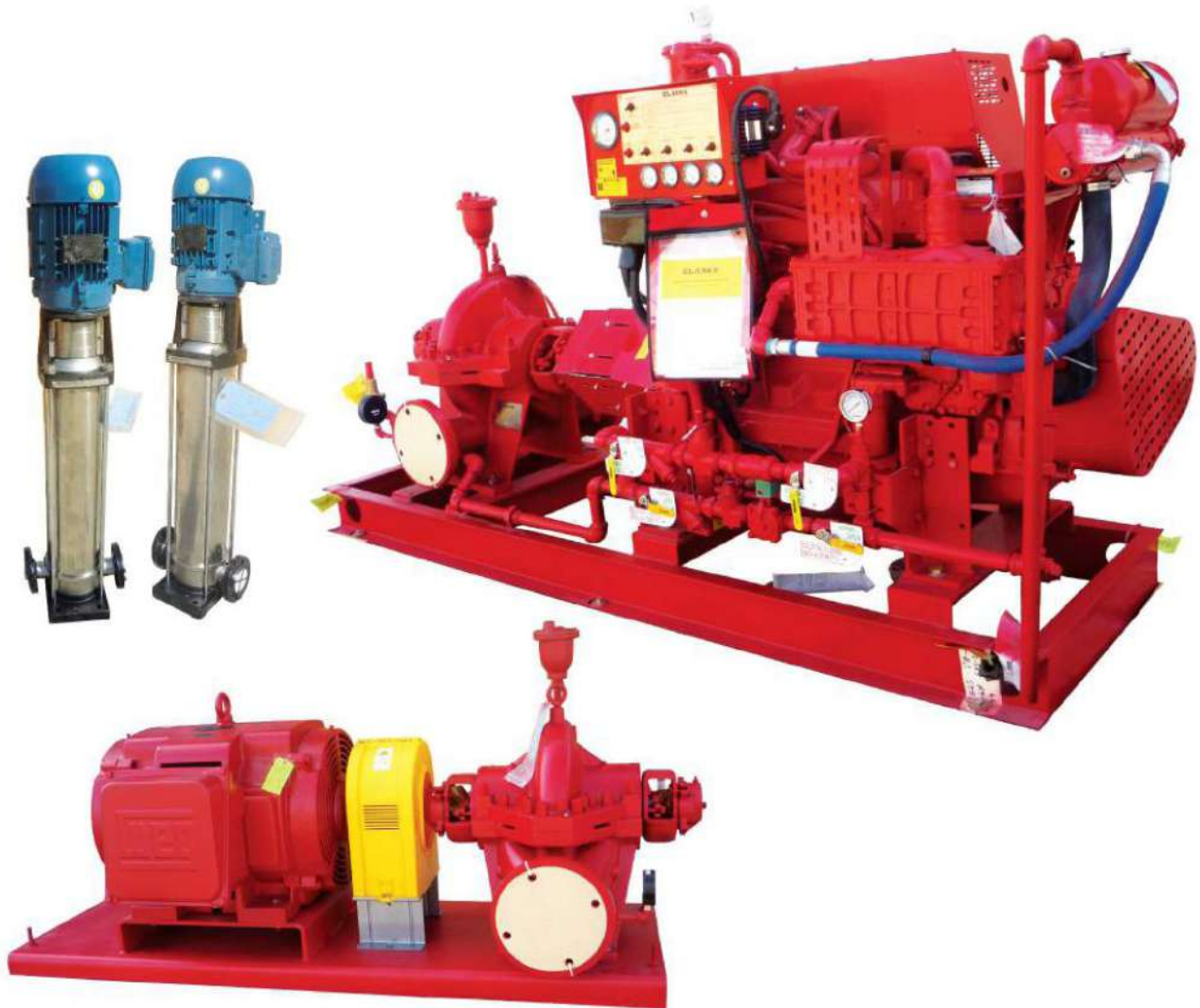
UL Listed Fire Pumps

J-Line Pumps - U.S.A.



J-Line Pumps, one of the most respected pumps in America, our pumps steeped in heritage since 1975. During the last 35 years, hundreds of thousand pumps have been designed and built allowing many of them to continue servicing customer for 35 years. J-Line pumps have been built to meet the ever changing requirements of society, including the fire fighting pumps with both categories UL listed FM approved and Non UL listed Non FM approved pumps and their accessories.

All of our pumps have three superior characteristics; Design, Performance & Durability. J-Line pumps have provided cost effective solutions by building pumps to last. Durability By Design is always the most cost effective solution.





Distributor-



Unique Multi Engineering Ltd.

A Firm of Fire Detection, Protection, Ventilation & Cooling System Solution

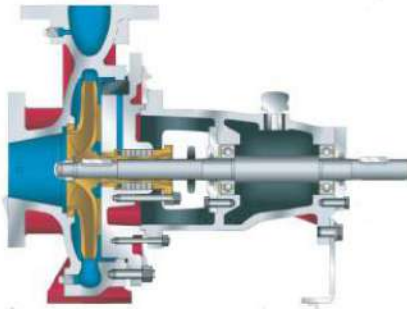
Mail: info@unique-ltd.com, uniquebd0707@gmail.com

Mobile: +8801716592522, +8801825451599

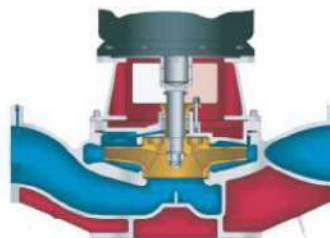
Web: www.unique-ltd.com

UL Listed Fire Pumps

J-Line Pumps - U.S.A.



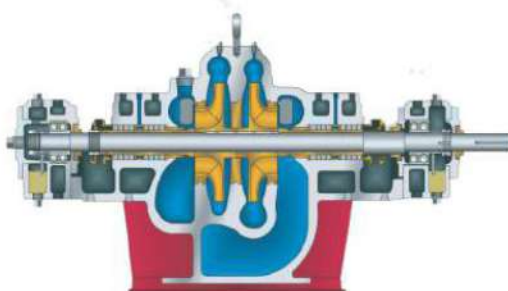
Model FP-REF



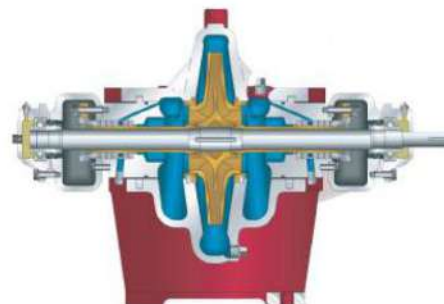
Model FP-REI



Model FP-VT



Model FP-HH/FP-HJ/FP-HK



Model FP-HD



Distributor-



Unique Multi Engineering Ltd.

A Firm of Fire Detection, Protection, Ventilation & Cooling System Solution

Mail: info@unique-ltd.com, uniquebd0707@gmail.com

Mobile: +8801716592522, +8801825451599

Web: www.unique-ltd.com

Portable Fire Pumps

WATEROUS

Waterous diesel and gasoline powered motor pumps combine the muscle of the Waterous vehicle-mounted pumps with the convenience of their own power source. Each model, whether skid mounted, trailer-mounted or portable, delivers the horsepower and performance when and where you need it.

Waterous vehicle-mounted pumps provide fire industry professionals with easy to operate fire suppression systems that offer the most efficient water delivery systems on the market. Because of quality craftsmanship and exclusive design features, vehicle-mounted fire pumps have quickly become the primary firefighting tools of the fire service industry worldwide. Comes mostly with 5 year equipment warranty.

When it comes to compressed air foam systems, Waterous CAF Systems™ are the first foam. Whether you need water, aspirated foam or compressed air foam, Waterous offers fully integrated, user-friendly units that fit any fire suppression application. Backed by an exclusive 5-year equipment warranty.





Distributor-



Unique Multi Engineering Ltd.

A Firm of Fire Detection, Protection, Ventilation & Cooling System Solution

Mail: info@unique-ltd.com, uniquebd0707@gmail.com

Mobile: +8801716592522, +8801825451599

Web: www.unique-ltd.com

Fire Alarm Systems

FIREX-UK



Certificate No. 548p(c1-5)

FX-IFP8 Intelligent Fire Alarm Control Panel

Eight loop addressable fire detection panel packed with features not usually associated with smaller systems, providing a high quality solution at exceptionally good value.

- 8 Loops X (242) capacity (1936) addressable points.
- Maximum 10 Loops Standalone
- Modular constructed for future expansion
- 40 x 15 lines Colour Graphical LCD Display
- Up to 999 programmable zones and 140 zone indication
- Auto Programming Day and Night Mode
- Enable and Disable function and positive alarm sequence and duplicate address checking
- Dirty Detector Reporting and Duplicate Address Checking
- Walk Test Function with optional silent mode
- Programmable form PC or Panel
- History record-999 fire incident only plus 999 event capacity in non-volatile memory
- Advanced user friendly programming software including 'Fuzzy Logic'
- Networked with all Firex Intelligent Fire panels (up to 240)
- Optional Fiber Optic and LAN Network Interface
- Optional RS 485 mimic and repeater
- Optional RS 232-USB CRT interface, including GMC graphic
- Built in Fire Alarm, FPE, Fault and Alarm Router output
- Panel Printer included
- Built in Battery charger

LPCB Listed



Certificate No. 548e(c1-3)

FX94031 Addressable Sounder and Strobe

- 16 Selectable tones
- Strobe provided by high intensity LED cluster
- Programmable selection of loop powered or 24V
- Programmable selection of sounder/strobe, sounder or strobe only
- 2 stage alarm option Alert/EVAC
- Power saving and normal mode

LPCB Listed



Certificate No. 548g(c1-2)

FX102A Conventional Fire Alarm Panel Series

- 24/8/16 zone conventional fire alarm panels
- Both End of Line Register and Active End of Line can be used
- Daylight mode selected
- Zone isolate control
- Key-control evacuation over-ride
- Repeater output available
- Fire alarm output for remote alarm
- Class change terminal for remote control
- Active EOL enables multiple alarm reporting from same zone
- Active EOL max 15 fire detectors and infinite manual buttons each zone
- Optional relay output board

LPCB Listed



Certificate No. 548c(c1-3)

FX91031 Intelligent Dual Heat Detector

- Fixed temperature and Rate of Rise Heat Detection
- Aesthetically pleasing low profile design
- 8 Bit intelligent processor with A/D converter
- Electronically Addressed
- Fixed temperature response 58°C
- With Remote Indicator output
- Twin LED for 360° vision
- ROR on/off option
- DZ-03 Standard Detector Base

LPCB Listed



Certificate No. 548g(c1-3)

FX9204 Manual Call Point

- Re-settable (non-breaking glass) via special key
- Friendly installation and test
- Wiring before termination
- Semi-flush mount installation
- Optional back-box for surface mount
- Stylish pleasing design

LPCB Listed



Certificate No. 548g(c1-3)

FX92011 Addressable manual Call Point

- Re-settable (non-breaking glass) via special key
- Electronically addressing
- Two part plug-in construction with base mounted termination allows easily installation and connection

LPCB Listed



Certificate No. 548d(c1-3)

FX91021 Intelligent Optical Smoke Detector

- Aesthetically pleasing low profile design
- 8 Bit intelligent processor with A/D converter
- Built in algorithm maps for false alarm rejection
- Electronically Addressed
- Twin LED for 360° vision
- With Remote Indicator output
- Removable optical chamber for easy cleaning and maintenance
- DZ-03 Standard Detector Base

LPCB Listed



Certificate No. 548n(c1-3)

FX9503 Short Circuit Isolator

- Isolates faulty part of the loop in the event of a short circuit
- Automatically reset once the fault has been cleared
- LED status indicator

LPCB Listed





Distributor-



Unique Multi Engineering Ltd.

A Firm of Fire Detection, Protection, Ventilation & Cooling System Solution

Mail: info@unique-ltd.com, uniquebd0707@gmail.com

Mobile: +8801716592522, +8801825451599

Web: www.unique-ltd.com

Fire Alarm Systems



Intelligent Fire Alarm Control Panel

Mircom's Flex-Net™ Series Network Fire Alarm Control Panels offer modular components to meet a wide variety of applications.

Mircom's FX-2000 series Intelligent analog Fire Alarm Control Panel is designed to provide maximum flexibility of analog system requirements while also providing easy installation and operation at a cost effective price.



Metal Fire Alarm Station

Mircom's MS-700U Series Manual Pull Stations provide manual fire reporting. These high quality, die-cast metal pull stations are available in either single or dual action configurations with SPST contacts and terminal strip connections. The normally open contact, which closes when the pull station is activated, is rated for 1amp, 30 VDC. The contacts are gold plated to avoid the risk of corrosion.



Horn / Strobe

Mircom's Series 200 Select-a-Horn are designed to comply with NFPA/ANSI audible emergency evacuations signal and UL 464/ ULC S525 audible signalling appliances. The Horn provides two different 2eld selectable tones and a High/Low output setting that can be accomplished with the use of mini jumpers located on back of the unit. The horn is clearly labelled with FIRE lettering and is polarized for connecting to supervised fire alarm circuits. The Series 200 Select-a-Horn is available in red or white housing 24V DC models. The horn signals are listed for indoor use, ceiling and wall mount.



Motor Bells

Mircom's BL-Series of motor driven bells are designed for today's fire alarm applications. The durable steel construction provides loud resonant tones necessary for fire alarm installations. The new BL- Series bells use a varistor suppression element to prevent RFI and EMF noise problems to modern fire alarm control panels.



2 & 4 Wire Ionization
Smoke Detector



2 Wire Photoelectric
Smoke Detector



Photoelectric Smoke
Detector Head



Series 65 Photoelectric
Smoke Detector Head

Intelligent Laser Smoke
Sensor



Fixed and Rate-of-Rise
Heat Detector Head

Intelligent Photoelectric
Smoke Detector



Intelligent Low Profile
Smoke Sensor



Distributor-



Unique Multi Engineering Ltd.

A Firm of Fire Detection, Protection, Ventilation & Cooling System Solution

Mail: info@unique-ltd.com, uniquebd0707@gmail.com

Mobile: +8801716592522, +8801825451599

Web: www.unique-ltd.com

Fire Alarm Systems



FNS-420-R LSN Strobe, Red

- ▶ Quick installation
- ▶ No additional cabling or power supply
- ▶ Low consumption thanks to LED-technology
- ▶ Synchronized flash rate of 1 Hz

combination of visual and acoustic signaling. Mounted on the MS 400 Detector Base, the FNS-420-R can be used as a strobe without acoustic signaling. Both applications can easily be integrated into an existing Local Security Network (LSN).



BOSCH

Invented for life



FAP-420/FAH-420 Automatic Fire Detectors LSN improved version

- ▶ Combination of optical, thermal and chemical sensors with intelligent evaluation electronics.
- ▶ Earliest detection of lightest smoke (TF1 & TF9) with the double-optical smoke detectors featuring Dual-Ray technology
- ▶ Detector properties adapted to cater for room usage
- ▶ Drift compensation in optical and gas measurement section
- ▶ Maintains LSN loop functions in the event of wire interruption or short-circuit thanks to two integrated isolators

The 420 Series Automatic Fire Detectors offer a superb accuracy as well as detection speed and precision. The versions with dual-optical sensor (DO-detectors: FAP-DO420, FAP-DOT420, FAP-DOTC420) are able to detect lightest smoke (TF1 and TF9). These detectors provide all advantages of LSN improved version. The addressing of the detectors can be configured with the integrated turning switches.



FMC-420RW Single Action Call Points LSN improved

- ▶ Alarm triggering by pressing the black marking or breaking the glass pane
- ▶ Protection against injury through foil-labeled glass pane
- ▶ LED display for triggered alarm or inspection evaluation
- ▶ Individual call point identification
- ▶ Call point query routines with evaluation and multiple transmission

FMC-420RW Single Action Call Points are used for manual triggering and can be employed in both the Local Security Network (LSN) and the LSN improved version.



FLM-420-O111 Output-input Interface Modules

- ▶ Semi-conductor output electrically isolated from LSN loop and short-circuit proof
- ▶ Max. switchable current per output 700 mA
- ▶ Individually selectable input monitoring functions (EOL or contact)
- ▶ Maintains LSN loop functions in the event of wire interruption or short-circuit thanks to two integrated isolators

The FLM-420-O111 Output-input Interface Modules are fitted with one output to control external devices and with one monitored input. They are 2-wire LSN elements for connection to the fire panels FPA-5000 and FPA-1200 and offer the enhanced functionality of LSN improved technology.



Distributor-

Unique Multi Engineering Ltd.

A Firm of Fire Detection, Protection, Ventilation & Cooling System Solution

Mail: info@unique-ltd.com, uniquebd0707@gmail.com

Mobile: +8801716592522, +8801825451599

Web: www.unique-ltd.com

Voice Evacuation Systems



QX-5000 Series Voice Evacuation System

Mircom's QX-5000- Series is a multi-channel, zoned audio system that allows the operator to selectively page from a central location to any of the system's audible devices. In addition, the QX-5000 allows for zoned, fire fighters' telephone communication with remote telephone handsets that are permanently installed throughout a building. The system has a simple interface to the Fire Alarm Control Panel, and contains its own power supply and battery back up system.

- Multi-channel, zoned voice paging and alarm system
- Multiple lobby capacity
- Distributed audio control
- Multiple amplifier sizes
- Zone or All-Call selectability (Alert/Evacuation)
- Provides single or multiple command center for use in emergencies
- Multiple building interconnection (Campus Style)
- Removable terminal blocks for ease of installation and maintenance
- Operates from integrated 24 VDC backup batteries in the event of a power failure.
- Zoned, fire fighter telephone capability
- Indication of all required fault conditions
- Speaker circuits are integrated with amplifier circuits.
- Multiple amplifier sizes (up to 7 per enclosure)
- Maintains full supervision during battery operation
- Digitized voice capability
- Microprocessor based operations



Fire Fighter Telephones

Mircom's Fire Fighter Telephones are designed to operate in conjunction with Mircom's QX-5000 Series handsets are permanently installed throughout a building to allow Fire Fighters easy communication with the main control panel.

- Heavy-duty construction
- Red Finish
- Flush or surface mount
- Key-locked door
- Break glass insert
- Rugged ABS plastic handset
- Portable handsets also available
- Addressable module available



4" Speakers SP-Series

Mircom's SP-Series 4" Speakers are designed for broadcasting high quality tone signals and are ideal for alarm signaling in hotels, malls, apartments and other areas where attractive appearance and dependable performance are prime concerns.

Features

- 25 & 70 volt line matching transformers
- High dBA output (over 90 dBA at 10 feet @ 2 watts)
- D.C. blocking capacitor for line supervision
- Terminal block connection for speaker tap/output selection
- Multiple output taps. Selection for 1/4, 1/2, 1 or 2 watts
- Moisture resistant
- Fire retardant cone material
- Factory assembled and tested
- Each speaker is equipped with a ground wire
- Off white speaker baffle
- Round or square baffles



S5375





Distributor-



Unique Multi Engineering Ltd.

A Firm of Fire Detection, Protection, Ventilation & Cooling System Solution

Mail: info@unique-ltd.com, uniquebd0707@gmail.com

Mobile: +8801716592522, +8801825451599

Web: www.unique-ltd.com

Emergency Lights



Surface Mount Slim Exit Sign

Mode of operation : Maintained
Lamp : 1 x 10W fluorescent lamp
Rated duration : 2 Hrs
Mains Supply : 230Volts, 50/60Hz
Battery : High temp. Nickel Cadmium



Slim Compact Emergency Luminaire

Mode of operation : Non-maintained & others
Lamp : 1 x 8W fluorescent lamp
Rated duration : 3 Hrs (1x8W) or 2 hrs (2x8W)
Mains Supply : 230Volts, 50/60Hz
Battery : High temp. Nickel Cadmium
Charge monitor : Red LEDØ5mm



Emergency Luminaire

Mode of operation : Non-maintained & others
Lamp : 2 x 10W incandescent lamp
(halogen lamp also available)
Rated duration : 2 Hrs
Mains Supply : 230Volts, 50/60Hz
Battery : maintained-free sealed lead calcium battery
(High temp. Nickel Cadmium available)



Slim Elegant Emergency Luminaire

Mode of operation : Non-maintained & others
Lamp : 2 x 8 W fluorescent lamp
Rated duration : 2 Hrs
Mains Supply : 230Volts, 50/60Hz
Battery : High temp. Nickel Cadmium



External Lit Surface Mount L.E.D. Slim Exit Sign

Mode of operation : Maintained
Lamp : LED
Rated duration : 2 Hrs
Mains Supply : 230Volts, 50/60Hz
Battery : High temp. Nickel Cadmium





Distributor-



Unique Multi Engineering Ltd.

A Firm of Fire Detection, Protection, Ventilation & Cooling System Solution

Mail: info@unique-ltd.com, uniquebd0707@gmail.com

Mobile: +8801716592522, +8801825451599

Web: www.unique-ltd.com

UL Listed Emergency Lights

Lxine

**LX-632/632A
EMERGENCY LIGHT**

TECHNICAL PARAMETERS:

1. Fluorescent single tube emergency light
2. Working voltage: AC220V±10%
3. Battery: Nickel cadmium battery
3.6V 1.5Ah / 2.4V 4.0Ah
4. Emergency duration time: 3 hours
5. Working temperature: -10°C-55°C
6. Working humidity: 10%-90%
7. 1x8W T5 fluorescent tube
8. Product size: 34.6x10.6x7.9cm



LX-631L
EMERGENCY LIGHT



LX-632-36
EMERGENCY LIGHT



STANDARD FEATURES:

Certificate: UL
White aluminum alloy housing
Transparent acrylic panel
Innovative, Universal mounting
Long-life LED light source
Single face configuration

TECHNICAL PARAMETERS:

Working voltage: AC120V/277V 60Hz
AC power: 5W
Charging time: 24 hours
Emergency duration time: more than 3 hours
Light source: LED 12pcs
Battery: Ni-cd 4.8V 650mAh
Working temperature: -10°C - 40°C
Working humidity: 90% RH
Battery over discharge protection
Charging LED indicator and test button
Installation: wall side or ceiling mounting



Distributor-



Unique Multi Engineering Ltd.

A Firm of Fire Detection, Protection, Ventilation & Cooling System Solution

Mail: info@unique-ltd.com, uniquebd0707@gmail.com

Mobile: +8801716592522, +8801825451599

Web: www.unique-ltd.com

Emergency Lights

GUARD-LITE EMERGENCY LAMP SERIES



GL218/NM3
355X88X138mm



GLA218/NM3
332X77X104mm



GL/8/NM3
355X88X138mm



GLA8/NM3
332X77X104mm

Technological Parameter

MODEL	GLA218/NM3	GL218/NM3	GLA8/NM3	GL/8/NM3
Dimensions (L x H x W)	332X77X104mm	355X88X138mm	332X77X104mm	355X88X138mm
for Lamps	Fluorescent Lamp			
Rated supply voltage	110V-270V.50HZ-60HZ			
Rated supply power	8W			
Battery duration	≥3 Hours			
Full charge	24h ≤ H ≤ 15h			
Mode of operation	Coutinuance			
Ambient temperature and humidity	-10°C-50°C Rh≤95%			
Material	Lamp holder covers use transparent polycarbonate material			
Installation	Wall hangs mount or top sucks mount			



Distributor-



Unique Multi Engineering Ltd.

A Firm of Fire Detection, Protection, Ventilation & Cooling System Solution

Mail: info@unique-ltd.com, uniquebd0707@gmail.com

Mobile: +8801716592522, +8801825451599

Web: www.unique-ltd.com

LPCB

LPCB Fire Resistance Cables

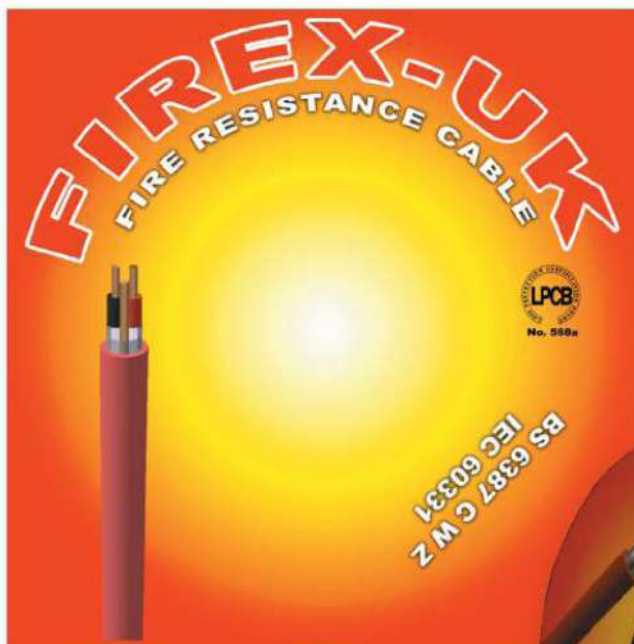
FIREX-UK

Performances

- ▶ Circuit integrity performance as to resistance to fire alone, to fire with water and to fire with mechanical shock in compliance to BS 6387
- ▶ Low smoke and Fume to BS 7622
- ▶ Corrosive gases to BS 6425P1
- ▶ Flame propagation to BS 4066 P1 & P3
- ▶ Flame test to IEC331
- ▶ Halogen free
- ▶ Temperature 250°C



Certificate No.: 568a



Applications

Alarm Systems
Emergency Lighting
Building Address Systems
Public Address Systems
Shopping Centres
Hospitals
Airports
Oil and Gas Fields
Marine
Education Centres
Public Entertainment Centres



LPCB Fire Resistance Cables

BS6387 CWZ AND EN 50200
CERTIFIED BY LPCB
(2, 3 & 4)

2S
cables
FE180 PH30

**Construction**

Conductor	Solid bare copper (IEC/EN 228, BS 6360, VDE 0295, HD 383)
Insulation	Fire resistant silicon rubber (HD 22.1, BS 7655 EI 2), colors: BS7671/HD308-S2/VDE0293-308
Separator	Polyester tape
Drain Wire	0.80mm Solid tinned copper
Shield	Aluminium laminated polyester tape
Sheath	HFFR, Red (RAL 3000) or White: EN 50290-2, VDE 0207 HM2, BS 7655 LTS1/LTS3

Technical and Electrical Properties (20°C)

Conductor Resistance (max.)	1 mm ² : 18 Ω/km - 1.5 mm ² : 12 Ω/km - 2.5 mm ² : 7.4 Ω/km	
Insulation Resistance (min.)	200 M.Ωxkm	
Operating Voltage	300V/500V	Test Voltage 2000V
Temperature Range	Fixed -30°C ... +90°C	Flexing -5°C ... +60°C
Min. Bending Radius	Fixed 8 x Cable Diameter,	Flexing 15 x Cable Diameter
Flame Tests	IEC / EN 60332-1, IEC 60332-3-24, (BS 4066 part 1&3), EN 50266-2-4	
Insulation Integrity	IEC 60331, BS 6387 C, W, Z, EN 50200 PH30	
Smoke Density	IEC/EN 61034, BS 7622, HD 606	
Corrosive Gas Measurement	IEC 60754-2, BS 6425, EN 50267	

PART NUMBER / NO.OF CORES SECTION (mm²) / CABLE DIAMETER (mm) (±5%) / COPPER WEIGHT (Kg/Km) / CABLE WEIGHT (Kg/Km)

1.00 mm ²				
	2x1.00	5.80	23	51
	3x1.00	6.00	32	65
	4x1.00	6.60	41	81
1.50 mm ²				
	2x1.50	6.65	33	70
	3x1.50	6.75	46	90
	4x1.50	7.60	59	110
2.50 mm ²				
	2x2.50	7.80	50	100
	3x2.50	8.25	72	135
	4x2.50	9.10	95	165

2S CABLES FE180 PH30



Distributor-



Unique Multi Engineering Ltd.

A Firm of Fire Detection, Protection, Ventilation & Cooling System Solution

Mail: info@unique-ltd.com, uniquebd0707@gmail.com

Mobile: +8801716592522, +8801825451599

Web: www.unique-ltd.com

UL Listed Fire Resistance Cables

SOLOARTI cables



E 361320

DESCRIPTION

1. Solid or stranded, tinned or bare copper conductor
2. Fire-resistant PVC or LSNH insulation and jacket
3. Fiberglass tape or fire-resistant mica tape insulation
4. Test on electric cables under fire conditions complies with IEC60332-3-24:2000, UL
5. Measurement of smoke density of cable burning under defined conditions on electric cables under fire conditions complies to IEC61034-2:2005
6. Test on electric cables under fire conditions complies to IEC60331-21:1999

ITEM NO.	DESCRIPTION	CONDUCTOR SPECIFICATION	INSULATION		JACKET		PACKING
			Nom. Thick. (mm)	Nom. Diam. (mm)	Nom. Thick. (mm)	Nom. Diam. (mm)	
TYFC208	BC/TC Solid or Stranded Shielded or Unshielded PVC or LSNH Insulation Jacket	2*0.5mm ²	0.5	1.8	0.7	5.2	Box Coll Drum Pepper Reel Plastic Reel Wooden Reel
TYFC308		3*0.5mm ²	0.5	1.8	0.7	5.5	
TYFC2100		2*0.8mm ²	0.5	2.0	0.7	5.4	
TYFC3100		3*0.8mm ²	0.5	2.0	0.7	5.9	
TYFC2113		2*1.0mm ²	0.6	2.35	0.8	6.5	
TYFC3113		3*1.0mm ²	0.6	2.35	0.8	6.9	
TYFC2138		2*1.5mm ²	0.7	2.8	1.0	7.8	
TYFC3138		3*1.5mm ²	0.7	2.8	1.0	8.2	
TYFC2178		2*2.5mm ²	0.8	3.4	1.0	9.0	
TYFC3178		3*2.5mm ²	0.8	3.4	1.0	9.05	



DESCRIPTION

1. Solid or stranded, tinned or bare copper conductor
2. Fire-resistant PVC insulation and jacket
3. Fiberglass tape, AL foil, Pet foil, or no
4. UL certification is to certify that representative sample of Power Limited fire alarm cable.

USL: Power Limited Fire Alarm Cables Types FPLR, FPL (60°C to 105°C)

CNL: Fire Alarm and Signal Cable, Type FAS, FAS FT1, FAS FT4, FAS90, FAS105 Ft1, FAS105 FT4, FAS90 FT1, FAS90 FT4 or FAS105

5. Standard for safety: UL 1424, Power-Limited-Fire-Alarm Circuit Cables C22.2 NO. 208-03, Fire-Alarm and Signal Cable

ITEM NO.	DESCRIPTION	CONDUCTOR SPECIFICATION	INSULATION		JACKET		PACKING
			Nom. Thick. (mm)	Nom. Diam. (mm)	Nom. Thick. (mm)	Nom. Diam. (mm)	
TYFC208	BC/TC Solid or Stranded Shielded or Unshielded PVC Insulation Jacket	2*0.5mm ²	0.45	1.7	0.65	4.9	Box Coll Drum Pepper Reel Plastic Reel Wooden Reel
TYFC308		3*0.5mm ²	0.45	1.7	0.65	5.1	
TYFC2100		2*0.8mm ²	0.5	2.0	0.7	5.4	
TYFC3100		3*0.8mm ²	0.5	2.0	0.7	5.7	
TYFC2113		2*1.0mm ²	0.55	2.25	0.75	6.2	
TYFC3113		3*1.0mm ²	0.55	2.25	0.75	6.5	
TYFC2138		2*1.5mm ²	0.6	2.6	0.8	7.0	
TYFC3138		3*1.5mm ²	0.6	2.6	0.8	7.4	
TYFC2178		2*2.5mm ²	0.6	3.0	0.8	7.8	
TYFC3178		3*2.5mm ²	0.6	3.0	0.8	8.2	



Distributor-

**Unique Multi Engineering Ltd.**

A Firm of Fire Detection, Protection, Ventilation & Cooling System Solution

Mail: info@unique-ltd.com, uniquebd0707@gmail.com

Mobile: +8801716592522, +8801825451599

Web: www.unique-ltd.com

Firex LPCB / BSI Fire Blankets



Model. FB4
Dimension. 1.2x1.2 (m)
LPCB Ref. No. 863b/01

Specialities

Excellent fire proof, heat resistance and insulation properties, effectively eliminates air and absorbs heat to suppress fire immediately.

Sizes Available:

MODEL NO.	SIZE
FB4	1.2M X 1.2M
FB6	1.2M X 1.8M



Certificate No. 863b

BS EN 1869:1997
KM. NO. 573984

Application

Mainly equipped for the kitchen, to put out fire caused by over heated oil in cooking, also can be equipped in the cars and ships, warehouses and oil stations etc. Can effectively put out small fires and can be wrapped around bodies on fire, save people and help escape in time.



Model. FB6
Dimension. 1.2x1.8 (m)
LPCB Ref. No. 863b/01



Distributor-



Unique Multi Engineering Ltd.

A Firm of Fire Detection, Protection, Ventilation & Cooling System Solution

Mail: info@unique-ltd.com, uniquebd0707@gmail.com

Mobile: +8801716592522, +8801825451599

Web: www.unique-ltd.com

Firex Filling Machines

Dry Powder Filling Machine

Description

Dry Powder Filling Machine is compatible to fill portable and trolley type fire extinguishers. By adopting vacuum fluidonics, filling machine sucks dry powder into the powder holder quickly and fill it in the container. This machine is compact, movable, easy to operate and pollution free. It can recycle dry powder in the fire extinguisher directly, thus reducing labor intensity and improving working environment. This machine is particularly applicable to the filling of dry powder fire extinguisher, and is also applicable to the filling of various powder products.

Technical Details

Volume	800 x 500 x 1200 mm
Weight	85 kg
Voltage	AC380V, 50Hz
Power	1.1KW
Filling Speed	3 kg/min
Filling Diameter	20~80mm
Filling Residual	1 kg \leq 0.05



CO₂ Filling Machine

Description

FCO₂FM Carbon dioxide is used with water press. It is a kind of repairers to fill carbon dioxide extinguishing agent into various portable type of carbon dioxide fire extinguishers automatically or semi-automatic.

It consists of the thermostatic system, console, electric scale, etc. and it has the advantages of safety and reliability, convenient operation, accurate filling volume, and high work efficiency. It is the ideal filling equipment for fire fighting equipment manufacturers and repairers.





Distributor-



Unique Multi Engineering Ltd.

A Firm of Fire Detection, Protection, Ventilation & Cooling System Solution

Mail: info@unique-ltd.com, uniquebd0707@gmail.com

Mobile: +8801716592522, +8801825451599

Web: www.unique-ltd.com

Fire Safety Equipments



.....and more



Distributor-



Unique Multi Engineering Ltd.

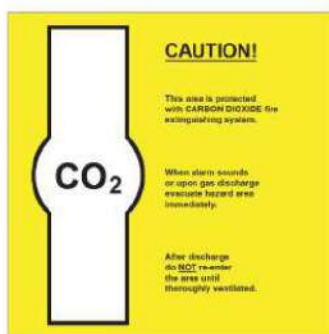
A Firm of Fire Detection, Protection, Ventilation & Cooling System Solution

Mail: info@unique-ltd.com, uniquebd0707@gmail.com

Mobile: +8801716592522, +8801825451599

Web: www.unique-ltd.com

Warning Signs



.....and more



Distributor-



Unique Multi Engineering Ltd.

A Firm of Fire Detection, Protection, Ventilation & Cooling System Solution

Mail: info@unique-ltd.com, uniquebd0707@gmail.com

Mobile: +8801716592522, +8801825451599

Web: www.unique-ltd.com

Accessories



Fire Extinguisher Valve
Dry Powder Portable



Fire Extinguisher Valve
Carbon Dioxide Portable Type



Fire Extinguisher Rotary Valve
for Carbon Dioxide Trolley Type



Fire Extinguisher Valve
Dry Powder Trolley Type



Fire Extinguisher Valve
Dry Powder Portable



Fire Extinguisher Valve for
Dry Powder Portable
Cartridge Type



Automatic Fire Extinguisher
Sprinkler Head Valve



Fire Extinguisher Valve
Dry Powder Portable



Foam Extinguisher
Discharge Nozzle



Fire Hose Reel
Discharge Nozzle



Safety Pin with Chain



Safety Seal



Fire Extinguisher
Discharge Hose



Fire Extinguisher
Cylinder Base



Fire Extinguisher
Hanger Bracket



Distributor-



Unique Multi Engineering Ltd.

A Firm of Fire Detection, Protection, Ventilation & Cooling System Solution

Mail: info@unique-ltd.com, uniquebd0707@gmail.com

Mobile: +8801716592522, +8801825451599

Web: www.unique-ltd.com

EMIRATES FIRE FIGHTING EQUIPMENT FACTORY LLC. (FIREX)

TEL: +971 6 5340300 FAX: +971 6 5340090

P. O. BOX: 22436, SHARJAH - U.A.E.

E-mail : firex@emirates.net.ae Website: www.firexuae.com

As part of our continuous development we reserve the right to modify the specifications without prior notice.