

FIREX-200 FIRE SUPPRESSION SYSTEM (CLEAN AGENT) (HFC-227EA HEPTAFLUOROPROPANE)



Distributor-



Unique Multi Engineering Ltd.

A Firm of Fire Detection, Protection, Ventilation & Cooling System Solution

Bulbul Mansion (1st fl) House# 137/B, New Eskaton Road, Ismail Lane
Ramna, Dhaka 1217, Bangladesh, Phone: +880258315796

Mobile: +8801716592522, +8801825451599 web: www.unique-ltd.com

Mail: info@unique-ltd.com, uniquebd0707@gmail.com





Distributor-

Unique Multi Engineering Ltd.

A Firm of Fire Detection, Protection, Ventilation & Cooling System Solution

Mail: info@unique-ltd.com, uniquebd0707@gmail.com

Mobile: +8801716592522, +8801825451599 Web: www.unique-ltd.com

BSI

BSI Fire Suppression Systems Firex-200 (Clean Agent)

Firex-200 Fire Suppression System (Clean Agent) (HFC-227ea Heptafluoropropane)

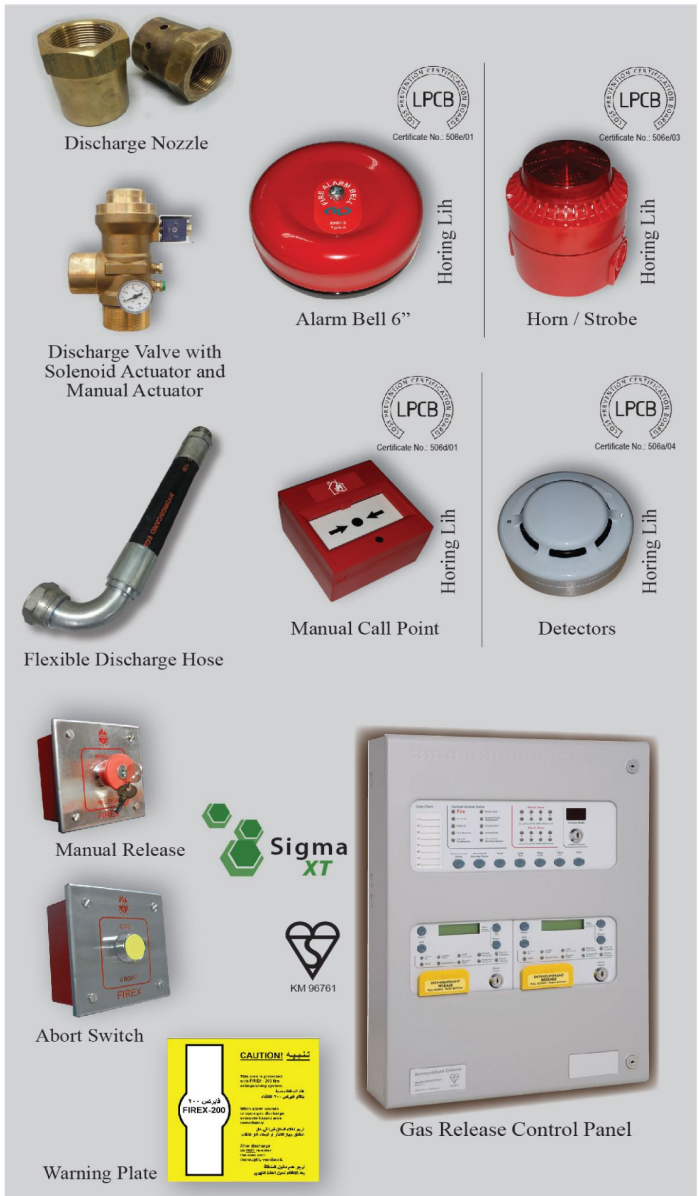
HFC-227ea (chemically known as Heptafluoropropane) was developed to replace Halogenated Agent in January 1994. The replacement was done due to the intense ozone depletion caused by the Halogenated Agent. In contrast, HFC-227ea complies with BS EN 15004-1. Tests after tests had confirmed that HFC-227ea is capable to extinguish fire in seconds, safe for human and hold damage on assets to a minimum.

No facility in this world can afford the loss of human, money, time, & assets that occurs after a fire.

HFC-227ea manufactured in strict accordance with Civil Defence regulations as well as BS EN 15004-1. The HFC-227ea suppression agent is stored in various sizes of containers with valve assemblies consisting of an immediate acting rupture disc and an electrical actuator. A pressure guage is also installed to allow a quick inspection of container pressure. Optional container's accessories are Liquid Level Indicator and Low Pressure Switch.



BS EN 15004-1:2008
KM. NO. 606270



• We reserve the right to change the components without prior notice, subject to availability.



FIREX - 200
KM. NO. 606270

BS EN 15004-1:2008
KM. NO. 606270



Distributor-
Unique Multi Engineering Ltd.

A Firm of Fire Detection, Protection, Ventilation & Cooling System Solution
Mail: info@unique-ltd.com, uniquebd0707@gmail.com
Mobile: +8801716992522, +8801825451599 Web: www.unique-ltd.com



MECHANICAL COMPONENTS



Discharge Nozzle



Discharge Valve with
Solenoid Actuator and
Manual Actuator



Flexible Discharge Hose

ELECTRICAL COMPONENTS



Certificate No.: 506e/01



Alarm Bell 6"

Horing Lih



Certificate No.: 509e/03



Horn / Strobe

Horing Lih



Certificate No.: 508d/01



Manual Call Point

Horing Lih



Certificate No.: 506a/04



Detectors

Horing Lih



Abort Switch



Manual Release



KM 96761



Warning Signs



Gas Release Control Panel



FIREX - 200
KM. NO. 606270

BS EN 15004-1:2008
KM. NO. 606270



Distributor-

Unique Multi Engineering Ltd.

A Firm of Fire Detection, Protection, Ventilation & Cooling System Solution
Mail: info@unique-ltd.com, uniquebd0707@gmail.com
Mobile: +8801716592522, +8801825451599 Web: www.unique-ltd.com



SPECIFICATIONS

AGENT

The extinguisher agent used in FIREX 200 engineered clean agent extinguishing system is Heptafluoropropane. Firex 200 is a colorless, liquified compressed gas. It is stored as a liquid and dispensed in to the hazard as a colorless, electrically non-conductive vapor. It leaves no residue. It has acceptable toxicity for use in occupied spaces when used as specified in the United Environmental Protection (EPA) proposed Significant New Alternatives Policy (SNAP) program rules.

Firex 200 extinguishing a fire by a combination of chemical and physical mechanisms.

PERFORMANCE

Firex 200 is an effective fire extinguishing agent that can be used on many types of fires. It is effective for use on Class A Surface burning fires, Class B Flammable liquid and Class C Electrical fires.

On a weight of agent basis Firex 200 is a very effective gaseous extinguishing agent. The minimum design concentration for total flood applications, in accordance with BS EN 15004-1:2008 shall be 7%.

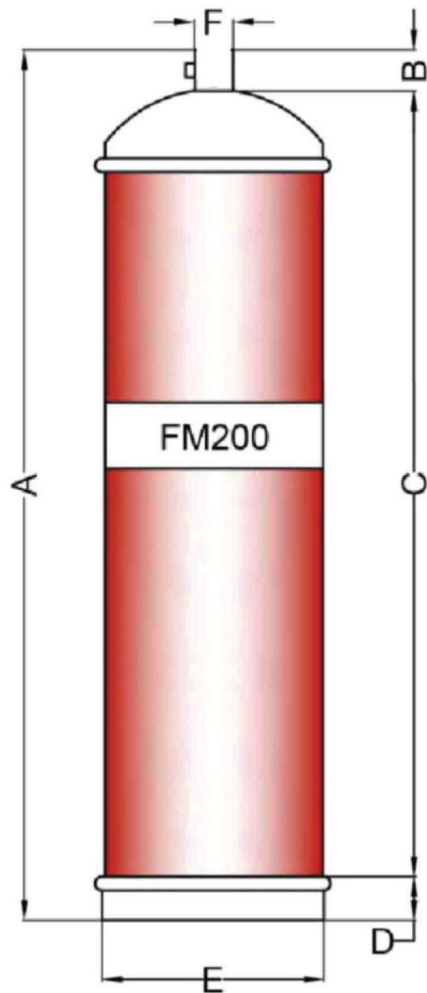
AGENT SPECIFICATION

Firex 200 is manufactured to the following specifications;

- Mole % 99.6 minimum
- Acidity, ppm by weight 3.0 maximum
- Water content, % by weight 0.001 maximum
- Soluble residue, % by volume 0.05 maximum

PHYSICAL PROPERTIES OF FIREX 200 (HFC-227ea)

Chemical Name	Heptafluoropropane(CF ₃ CHF CF ₃)
Molecular weight	170.03
Boiling point	(°F) @ 7 60mm HG 2.55
Freezing point	(°F) -204
Critical Temperature	(°F) 215
Critical pressure	(psia) 422
Critical volume (ft ³ /lbm)	0.0258
Critical density (lbm/ft ³)	38.8
Specific heat, liquid (BTU/lb-°F)@77°F	0.283
Specific heat, vapor (BTU/lb-°F) @constant	0.1932
Pressure (1 ATM) @ 77°F	
Heat at vaporization (BTU/lb) @ boiling point	57.0
Thermal conductivity (BTU/hft°F) of liquid@77°F	0.040
Viscosity, Liquid (lb/ft hr)@77°F	0.547
Vapor pressure (psia)@77°F	66.4
Ozone depletion potential	0
Est, Atmospheric lifetime (years)	31-42
LC50 (Rates ; 4 hrs-ppm)>	800,000



CYLINDER SIZE	DIMENSION (MM)							M (MATERIAL)	EMPTY CYLINDER WEIGHT (KG)	VOLUME OF CYLINDER (LITERS)
	A	B	C	D	E	F	T (THICKNESS)			
25 LBS	570	110	400	60	240	33	3	MILD STEEL	14.4	18.1
50 LBS	780	110	610	60	240	33	3	MILD STEEL	16.7	27.6
75 LBS	1010	110	840	60	240	33	3	MILD STEEL	17.9	38.0
100 LBS	1050	110	860	80	310	33	3	MILD STEEL	21.4	64.9
125 LBS	1330	150	1100	80	310	33	3	MILD STEEL	24.8	83.0
150 LBS	1360	150	1130	80	310	33	4	MILD STEEL	27.3	85.2
200 LBS	1390	220	1050	120	370	80	4	MILD STEEL	46.80	119
250 LBS	1480	150	1210	120	370	49	4	MILD STEEL	61.2	130.0
300 LBS	1630	150	1360	120	370	49	4	MILD STEEL	72.7	146.1
400 LBS	1350	150	1050	150	550	49	4	MILD STEEL	85.5	249.3
500 LBS	1550	150	1250	150	550	49	5	MILD STEEL	98.1	296.8
600 LBS	1740	150	1440	150	550	49	5	MILD STEEL	117.7	341.9
1000 LBS	1645	215	1250	180	800	49	6	MILD STEEL	173.4	628.0



Distributor-

Unique Multi Engineering Ltd.
 A Firm of Fire Detection, Protection, Ventilation & Cooling System Solution
 Mail: info@unique-ltd.com, uniquebd0707@gmail.com
 Mobile: +8801716592522, +8801825451599 Web: www.unique-ltd.com

Title:

FM 200 CYLINDER DIMENSIONS



CEODEUX
FIRETEC

**Valves for fixed
installations \varnothing 33mm
for chemical gases**



B

Series ↙
B0482

STANDARD SPECIFICATION

Working pressure p max.

140 bar

Temperature range

- 20°C + 60°C

Seat orifice size

33 mm

Material

Valve body

brass

Inlet connection

C = 2 1/2" - 12 UN

Outlet connection

A = 1 7/8" - 12 UN

Burst disc

p = has to be specified

Gauge

has to be specified



Distributor-

Unique Multi Engineering Ltd.

A Firm of Fire Detection, Protection, Ventilation & Cooling System Solution

Mail: info@unique-ltd.com, uniquebd0707@gmail.com

Mobile: +8801716592522, +8801825451599 Web: www.unique-ltd.com



CEODEUX
FIRETEC

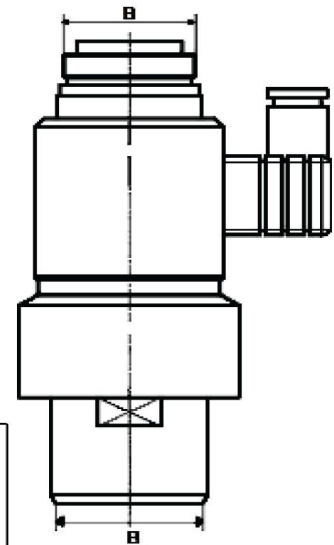
Electromagnetic
release device for
series
B0480
B0481
B0482



B
Series ↙
B0442

STANDARD SPECIFICATION

Connection	B = M 42 x 1,5
Nominal voltage	24 VDC
Nominal current	0,5 A or 1A
Class	IP65



**Distributor-**
Unique Multi Engineering Ltd.
A Firm of Fire Detection, Protection, Ventilation & Cooling System Solution
Mail: info@unique-ltd.com, uniquebd0707@gmail.com
Mobile: +8801716592522, +8801825451599 Web: www.unique-ltd.com



www.rotarex.com

CEODEUX Extinguisher V alves T echnology S.A.
24, Route de Diekirch, B.P. 19, L-7505 Lintgen (EUROPE)

IS O 9001
CERTIFIED

Tel.: *352-32 78 32-232
Fax: *352-32 78 32-326



CEODEUX
FIRETEC

**Manual, pneumatic
release device for
series
B0480
B0481
B0482**



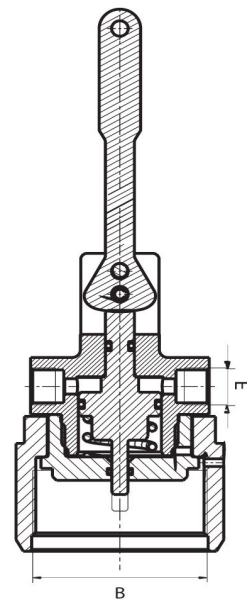
B Series 
B0442

STANDARD SPECIFICATION

Connection
Pneumatic connection
Working pressure min:
20 bar for 300 bar systems
15 bar for CO₂ and 200 bar systems
10 bar for systems

B = M 42 x 1,5
E = G 1/8"

p max = 340 bar
p max = 250 bar
p max = 150 bar



Distributor-



Unique Multi Engineering Ltd.

A Firm of Fire Detection, Protection, Ventilation & Cooling System Solution

Mail: info@unique-ltd.com, uniquebd0707@gmail.com

Mobile: +8801716592522, +8801825451599 Web: www.unique-ltd.com



www.rotarex.com

CEODEUX Extinguisher V alves Technology S.A.
24, Route de Diekirch, B.P. 19, L-7505 Lintgen (EUROPE)

ISO 9001
CERTIFIED

Tel.: *352-32 78 32-232
Fax: *352-32 78 32-326



**CEODEUX
FIRETEC**



Distributor-

Unique Multi Engineering Ltd.

A Firm of Fire Detection, Protection, Ventilation & Cooling System Solution

Mail: info@unique-ltd.com, uniquebd0707@gmail.com

Mobile: +8801716592522, +8801825451599 Web: www.unique-ltd.com

**Assembly pressure
gauge with integrated
pressure switch,
50 mm**



B

Series

02972

STANDARD SPECIFICATION

Gauge connection	M = M10 x 1	
Nominal size	50 mm	
Electrical Data:		
Contact pin and lug	gold-plated	
Switch voltage	4,5 to 24 VDC/ VAC	
Switch current	5 mA to 100 mA	
Contact load	max 3W	
Switch type	contact above switch point	
Working Pressure	<u>200 bar</u>	<u>300 bar</u>
Indication range	180-360 bar	270-400 bar
Nominal switch point	180 bar	270 bar
Setting increasing pressure max	185 bar	275 bar
decreasing pressure min	160 bar	250 bar



**CEODEUX
FIRETEC**



Distributor-

Unique Multi Engineering Ltd.

A Firm of Fire Detection, Protection, Ventilation & Cooling System Solution

Mail: info@unique-ltd.com, uniquebd0707@gmail.com

Mobile: +8801716592522, +8801825451599 Web: www.unique-ltd.com

Assembly pressure gauge, 40 mm



B

Series

02972

STANDARD SPECIFICATION

Gauge connection

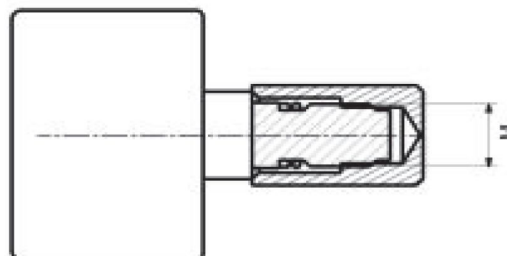
M = M 10 x 1

Indication range

0 – 360 bar

Nominal size

40 mm



www.rotarex.com

CEODEUX Extinguisher V alves Technology S.A.
24, Route de Diekirch, B.P. 19, L-7505 Lintgen (EUROPE)

IS O 9001
CERTIFIED

Tel.: *352-32 78 32-232
Fax: *352-32 78 32-326



FIREX

EMIRATES FIRE FIGHTING EQUIPMENT FACTORY

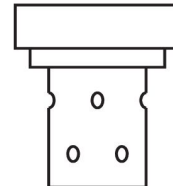
TEL: 06-5340300, FAX: 06-5340090, Email: firex@emirates.net.ae,
P.O. BOX 22436 IND'L. AREA 13, SHARJAH – U.A.E.

FIREX200 CLEAN AGENT FIRE SUPPRESSION SYSTEM

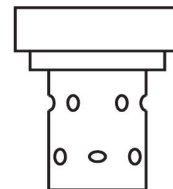
NOZZLE ←



FXDN 014



180° NOZZLE



360° NOZZLE

Specification

The size of nozzle different range of 15 to 50mm , 180° & 360°

The discharge nozzle is the device which controls the gas flow, and distributes the agent throughout the protected area. Nozzle are available with either 360° twelve orifice or 180° eleven orifice.

The nozzles are designed to discharge the agent in ten seconds or less, as long as they are used within the limitations outlined in the manual. Nozzles are constructed of the solid brass/aluminum to prevent corrosion.



Distributor-

Unique Multi Engineering Ltd.

A Firm of Fire Detection, Protection, Ventilation & Cooling System Solution

Mail: info@unique-ltd.com, uniquebd0707@gmail.com

Mobile: +8801716592522, +8801825451599 Web: www.unique-ltd.com



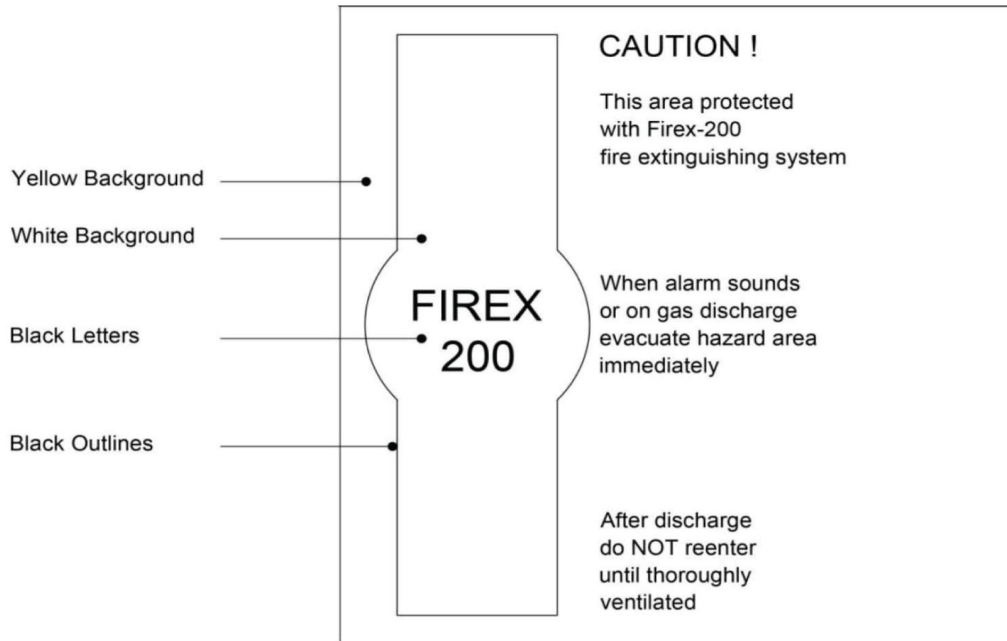
FIREX

EMIRATES FIRE FIGHTING EQUIPMENT FACTORY

T: 06-5340300, F: 06-5340090, Email: firex@emirates.net.ae,
P.O. Box No. 22436, Industrial Area 13, Sharjah, U.A.E.

**FIREX – 200
CLEAN AGENT FIRE
SUPPRESSION SYSTEM**

WARNING SIGN ←



FXWS018

TECHNICAL SPECIFICATION

Material : Rigid Polyvinyl

DIMENSIONS	
WIDTH	210 mm
HEIGHT	210 mm
THICKNESS	1.0mm



Distributor-

Unique Multi Engineering Ltd.

A Firm of Fire Detection, Protection, Ventilation & Cooling System Solution

Mail: info@unique-ltd.com, uniquebd0707@gmail.com

Mobile: +8801716592522, +8801825451599 Web: www.unique-ltd.com

Sigma XT

Extinguishant Control Panel



BS-EN12094-1
KM 96761

Features

- Approved to EN12094-1, EN54-2 and EN54-4
- Three detection zones as standard
- Any single zone or any combinations of zones can be configured to release
- Configurable first stage sounder delays
- Configurable detection delays
- Zero time delay upon manual release option
- Compatible with I.S. barriers
- Non-latching zone input option to receive signals from other systems such as aspirating equipment
- Configurable extinguishant delays up to 60 seconds in 5 second steps
- Configurable extinguishant duration up to 5 minutes in 5 second steps
- Countdown timer shows time remaining until release
- Supports up to seven, four wire status indicators
- Built in Extract Fan control

Programmable Functions

Access Level 2

- Test Zones 1 to 3
- Disable Zones 1 to 3
- Disable 1st Stage Alarms
- Disable Pre-activated 1st Stage Relay
- Disable Pre-activated 2nd Stage Relay
- Disable Extract Fan Output
- Disable Manual Release Input
- Disable Extinguishant Sub System
- Activate Extract Fan Output
- Activate Alarm Delays

Access Level 3

- Sounder Delay
- Coincidence Detection
- Disable Panel Features
- Zone Alarm Delays (Detectors)
- Zone Alarm Delay (Call Points)
- Configure Zone for I.S Barrier Use
- Zone Short Circuit Alarm
- Zone Non Latching
- Zone Inputs Delay
- Extinguishant Release Time Delay
- Extinguishant Release Duration Timer
- Extinguishant Reset Delay Timer

Product Overview

- Designed and manufactured to the highest standards in a quality controlled environment and with European EN12094-1 approvals, the Sigma XT extinguishant releasing panel offers outstanding value and performance for all small to medium fixed firefighting installations.
- With three detection zones as standard, extinguishant release can be configured to activate from any combination of detection zone inputs to allow (among other combinations) any two from three type activations such as would be required for detection in ceiling void, room and floor void applications.
- The extensive configuration options of the Sigma XT allow the functionality of the system to be extensively modified while still complying with the requirements of the controlling standard for the equipment (EN12094-1, EN54-2 and EN54-4).
- The panel contains a large LED display to enable easy configuration and control which also displays the time remaining until extinguishant release for added user safety.
- The countdown timer is duplicated on up to seven remote status units to provide local indication of the extinguishant system status.
- With all of the electronics mounted on a single, easily removable, steel plate Sigma XT panels are both robust and easy to install.
- Sigma XT is supplied in an enclosure that matches the design and colour of the Sigma CP range.



Model No. KI1031M2

Distributor-



Unique Multi Engineering Ltd.

A Firm of Fire Detection, Protection, Ventilation & Cooling System Solution

Mail: info@unique-ltd.com, uniquebd0707@gmail.com

Mobile: +8801716592522, +8801825451599 Web: www.unique-ltd.com

AH-031 Series



-
- **AH-0311 Multi-Purpose Smoke Detector**
 - AH-0315 Multi-Purpose Smoke and Heat Detector**
 - AH-0316 Multi-Purpose Combination Heat Detector**
-

Multi-purpose Resettable Type

This unit has designed for relay output feature with optional individual power source and it has been used widely in the current market. This resettable detector is not only use as a fire alarm system but will also supervise input power via an optional relay output for power breakdown or wire break. Fault relay contact will open when power breakdown occur and fire alarm signal will transmitted to connected system or computer terminal when detector is activated. When the alarm signal is absent the detector will automatically return to standby status. Optional built-in buzzer can sound a warning at the first sign of fire. This detector is currently used quite often in security systems and is also promoted for use in communications, banking, shipping or the art business.

Characteristics

- Special chamber design has greatly decreased dust levels and improved detection accuracy.
- Dual LEDs for 360-degree visibility.
- Advanced technology enables this detector to increase its precision in fire detection, improve signals to avoid noise interference and thus reduce unwanted false alarm.
- Low current consumption that allows more detectors to be used with each control panel.
- Dual contacts on the base which enhance the connecting stability between sensor and base.
- All bases are fitted with a shorting spring to permit maintenance without disconnecting when removing the detector head.



Distributor-

Unique Multi Engineering Ltd.

A Firm of Fire Detection, Protection, Ventilation & Cooling System Solution

Mail: info@unique-ltd.com, uniquebd0707@gmail.com

Mobile: +8801716592522, +8801825451599 Web: www.unique-ltd.com

AH-0311

Multi-Purpose Smoke Detector

Approvals: EN54  
506a/02/03/04



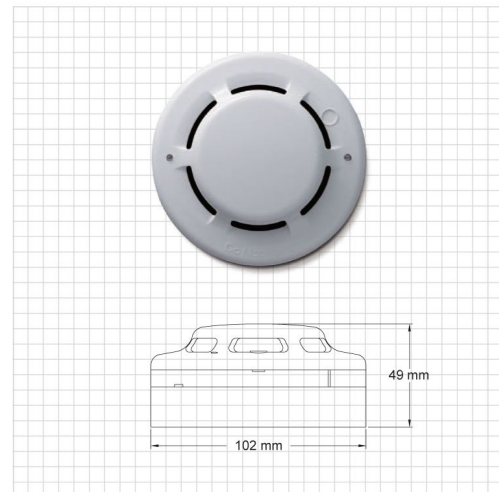
Specifications			
Model	AH-0311-2	AH-0311-3	AH-0311-4
Voltage Range	12 ~ 30V DC		
Standby Current	35µA		
Alarm Current @24V DC 470Ω	40mA	30mA	40mA
Sensitivity Setting	Comply to EN54		
Ambient Temperature	-10°C ~ +55°C		
Material	Fire-proof plastic		
Dimensions	102mm(Dia.) x 49mm(H)		
Weight	155g	157g	165g
Color	White		

Order information	
AH-0311-2	2-wire
AH-0311-3	3-wire with remote indicator output
AH-0311-4	4-wire with relay output

Specifications (Resettable)			
Model	AH-0311-S	AH-0311-BS	AH-0311-BPS
Alarm Current	15mA	50mA	80mA
Standby Current	115µA	115µA	15mA
Voltage Range	12V DC	12V DC	12V DC
Weight	168g	170g	170g

Order information (Resettable)	
AH-0311-S	+ Relay Output
AH-0311-BS	+ Buzzer + Relay Output
AH-0311-BPS	+ Buzzer + Power off & Wire Disconnection Warning + Relay Output

Effective alert area	
Building Height	Area Covered
Under 4M	150 M ²
4 ~ 20M	75 M ²



Distributor-

Unique Multi Engineering Ltd.
 A Firm of Fire Detection, Protection, Ventilation & Cooling System Solution
 Mail: info@unique-ltd.com, uniquebd0707@gmail.com
 Mobile: +8801716592522, +8801825451599 Web: www.unique-ltd.com



Distributor-
Unique Multi Engineering Ltd.
 A Firm of Fire Detection, Protection, Ventilation & Cooling System Solution
 Mail: info@unique-ltd.com, uniquebd0707@gmail.com
 Mobile: +8801716592522, +8801825451599 Web: www.unique-ltd.com

AH-0218 & AH-9719



Fire Alarm Bell & Indicating Lamp

AH-0218 Fire Alarm Bell 6"

- High efficiency low current consumption on 24VDC motorized bells.
- Terminals will accept 2.5mm cables.
- Simple installation via multi-fixing base plate for all types of location.
- Fitted with two series diodes for fault monitoring.
- Option of customized discs printed with company name and logo.
- 12VDC bells are also available.

Approvals: EN54



AH-9719 Fire Indicating Lamp

- Uses white bulb (or low current LED) and installed inside the red lamp cover.
- When lit, it is clear visible within 10 meters.

Approvals: 

Specifications	
Model	AH-0218
Dimensions	ø6" (152mm) x 56mm(H)
Voltage	24V DC
Current	25mA
Sound Output	93dB @1M
Movement	Motor, Pinion and striker
Movement Features	DC Motor, acetal gear wheel, steel striker
Gong	Steel, secured with phillips screw
Base Plate	Molded black polycarbonate
Material	Steel plate
Weight	About 850g

Specifications	
Model	AH-9719
Dimensions	90mm(Dia.) x 70mm(H)
Consumption Current	24V DC 60mA / LED 20mA
Bulb	30V/2W red bulb or LED
Lamp Cover	Fire-proof plastic
Lamp Base	Fire-proof plastic
Weight	About 70g



FIREX

EMIRATES FIRE FIGHTING EQUIPMENT FACTORY

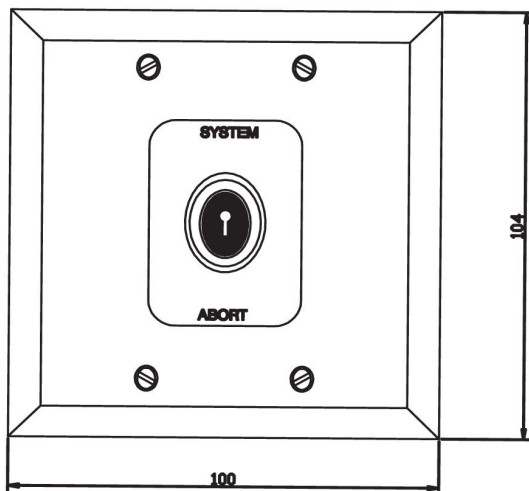
TEL: 06-5340300, FAX: 06-5340090, Email: firex@emirates.net.ae,
P.O. BOX 22436 IND'L. AREA 13, SHARJAH – U.A.E.

FIREX200 CLEAN AGENT FIRE SUPPRESSION SYSTEM

MANUAL RELEASE ↙

MANUAL RELEASE (Electric)

- ★ The electric manual release switch shall be a dual action device which provides a means of manually discharging the Suppression System when used in conjunction with the control system.
- ★ The Manual Release switch shall be a PYRO-CHEM model, or equal in quality, performance and features.



MANUAL RELEASE STATION



FXMRS 017 MANUAL RELEASE

Box Dimension

Back Box : Mild Steel (104x100x60)mm

Frame : Stainless Steel (116x116x8)mm

Electrical Details

Type : XB2-BA51

UI : 600V UIMP:6kv

ITN: 10A Ac15 240V-8A



Distributor-

Unique Multi Engineering Ltd.

A Firm of Fire Detection, Protection, Ventilation & Cooling System Solution

Mail: info@unique-ltd.com, uniquebd0707@gmail.com

Mobile: +8801716592522, +8801825451599 Web: www.unique-ltd.com



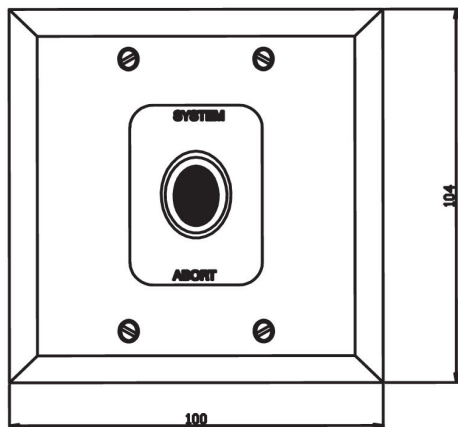
FIREX

EMIRATES FIRE FIGHTING EQUIPMENT FACTORY
TEL: 06-5340300, FAX: 06-5340090, Email: firex@emirates.net.ae,
P.O. BOX 22436 IND'L. AREA 13, SHARJAH – U.A.E.

FIREX200 CLEAN AGENT FIRE SUPPRESSION SYSTEM

ABORT SWITCH

Abort switches are often used in conjunction with a time delay. The abort switch is of the “dead-man” type. When the switch is depressed, the agent discharge is inhibited until the switch is released. Upon Release of the switch, agent discharge will occur when the panel is in the discharge mode.



FXAS 015

Box Dimension

Back Box : Mild Steel (104x100x60)mm

Frame : Stainless Steel (116x116x8)mm

Electrical Details

Type : XB2-BA51

UI : 600V UIMP:6kv

ITN: 10A Ac15 240V-8A



Distributor-

Unique Multi Engineering Ltd.

A Firm of Fire Detection, Protection, Ventilation & Cooling System Solution

Mail: info@unique-ltd.com, uniquebd0707@gmail.com

Mobile: +8801716592522, +8801825451599 Web: www.unique-ltd.com

AH-03127



AH-03127-S



AH-03127-BS

Electronic Sounder and Beacon

Electronic Sounder and Beacon

General

This electronic sounder is designed for use with fire alarm systems, security systems and industrial signaling systems. Combined sounder and beacon provides an audio-visual warning which is suitable for places where high sound output and visual indication is required.

Characteristics

- 32 signal tones selectable by Dip switch.
- High sound output with low current consumption.
- High efficiency lens for maximum light output.
- Volume Control as standard.
- Two sets of IN and OUT terminals, easy for installation.

Approvals: EN54  

Specifications		
Model	AH-03127-S	AH-03127-BS
Voltage	24V DC	
Current Consumption 24V DC (tone 3)	14.5mA	
Sound Output 24V DC dB (A) at 1 meter	Max. 114	
Volume Control	0 to -20dB adjustment	
Ingress Protection	IP44	
Ambient Temperature	-25°C ~ +80°C	
Material	ABS plastic	
Dimensions	92.5mm(Dia.) x 94mm(H)	92.5mm(Dia.) x 110mm(H)
Weight	254g	278g

Order information

AH-03127-S	Electronic Sounder
AH-03127-BS	Electronic Sounder and Beacon



Distributor-

Unique Multi Engineering Ltd.

A Firm of Fire Detection, Protection, Ventilation & Cooling System Solution

Mail: info@unique-ltd.com, uniquebd0707@gmail.com

Mobile: +8801716592522, +8801825451599 Web: www.unique-ltd.com



HORING LIH INDUSTRIAL CO.,LTD.